



# Specification

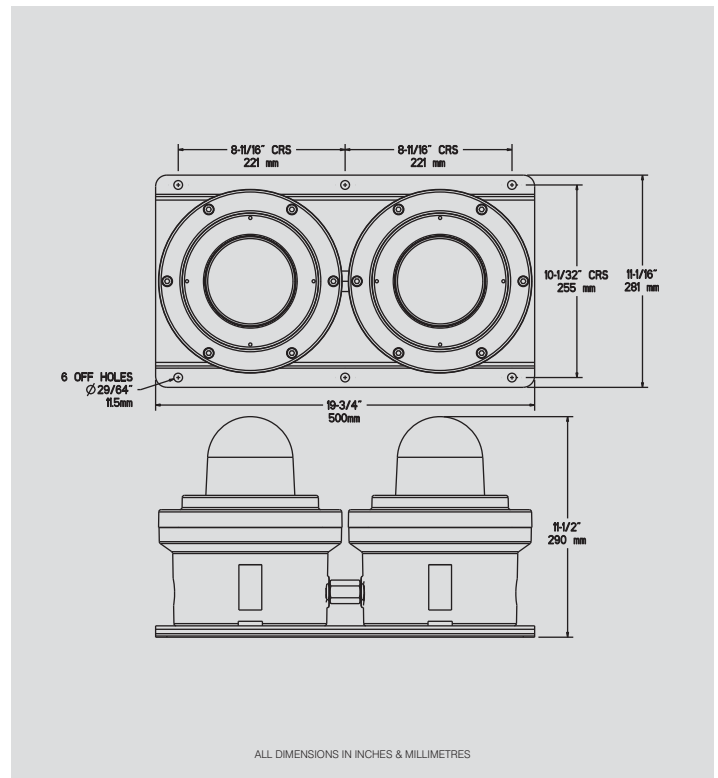
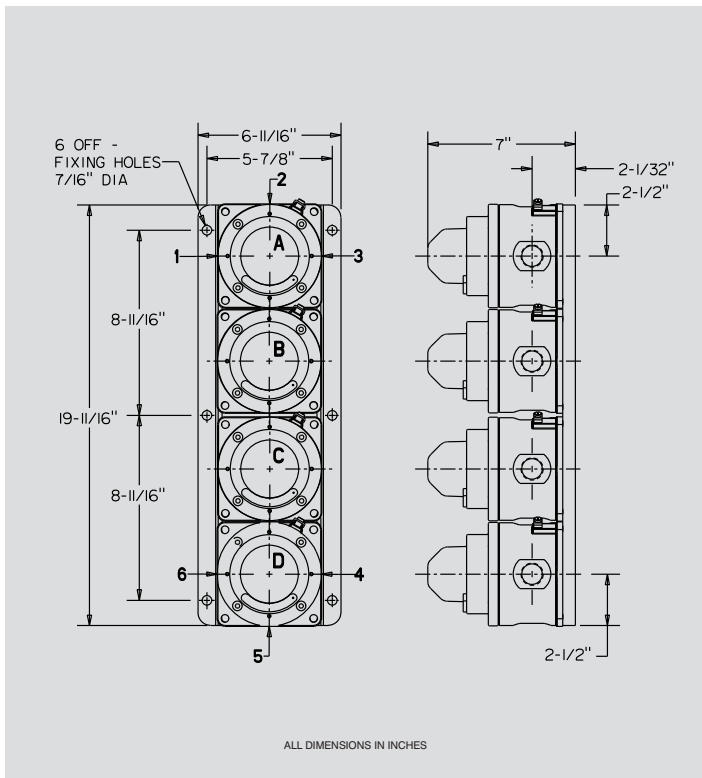
## SM87 SL

<b>Lamp Types:</b>	Xenon 6 joules maximum. Fluorescent 10W or 5W. Filament 40W maximum.
<b>Certification:</b>	UL Listed for USA and Canada Class I, Div 1, Groups C & D, Class I, Zone 1, AExd IIB T6. Listing No. E187894. CSA Certified: Class 1, Div 1 & 2, Group D. Cert. No. 96406.
<b>Voltage Frequency:</b>	50 Hz as standard. 60 Hz available if required.
<b>Xenon Voltages:</b>	24, 48V d.c. 110, 120, 240, 254V a.c. (see SM87 HXB data sheet for further information)
<b>Filament Voltages:</b>	12, 24, 48V d.c., 110, 220, 240, 254V a.c. (see SM87 LU3 data sheet for further information)
<b>Fluorescent Voltages:</b>	12, 24, 48V, 220, 240, 254V a.c. (see SM87 LU1 data sheet for further information)
<b>Lamp Colors:</b>	Red, Amber, Yellow, Green, Blue or Clear.
<b>Terminals:</b>	Will accept up to 14AWG cable.
<b>Wiring:</b>	Standard configuration of internal wiring is to common the negative/neutral connections. If individually wired lamps are required, please state requirements.
<b>Entries:</b>	Up to 3 x 1/2" or 3/4" NPT.
<b>Enclosure:</b>	LM 25TF Marine Grade Alloy.
<b>Lens:</b>	Glass.
<b>Finish:</b>	Painted to customer's specification.
<b>Ingress Protection:</b>	NEMA 4x and 6, IP66 & 67.
<b>Ambient Temp.</b>	-13°F to 131°F (-25°C to +55°C) – Class I, Div 1. -67°F to +131°F (-55°C to +55°C) – Class I, Zone 1.

## XB12 SL

<b>Lamp Types:</b>	Xenon 21 joules. Filament 60W.
<b>Certification:</b>	UL Listed for USA and Canada Class I, Div 2, Groups C & D, Class I, Zones 1 & 2, AExd IIB T4/T5. Listing No. E187894.
<b>Voltage Frequency:</b>	50 Hz as standard. 60 Hz available if required.
<b>Xenon Voltages:</b>	24V d.c., 110V, 240V a.c. (see XB12 data sheet for further information)
<b>Filament Voltages:</b>	120V a.c. (see FB12 data sheet for further information)
<b>Fluorescent Voltages:</b>	-
<b>Lamp Colors:</b>	Red, Amber, Yellow, Green, Blue or Clear.
<b>Terminals:</b>	Will accept up to 14AWG cable.
<b>Wiring:</b>	Standard configuration of internal wiring is to common the negative/neutral connections. If individually wired lamps are required, please state requirements.
<b>Entries:</b>	1 x 1/2" NPT.
<b>Enclosure:</b>	GRP.
<b>Lens:</b>	Glass.
<b>Finish:</b>	Painted to customer's specification.
<b>Ingress Protection:</b>	NEMA 4x and 6, IP66 & 67.
<b>Ambient Temp.</b>	-67°F to +158°F (-55°C to +70°C).

Note: XB11 SLUL also available.



## Ordering Requirements

Please contact Cooper MEDC to discuss your requirements.