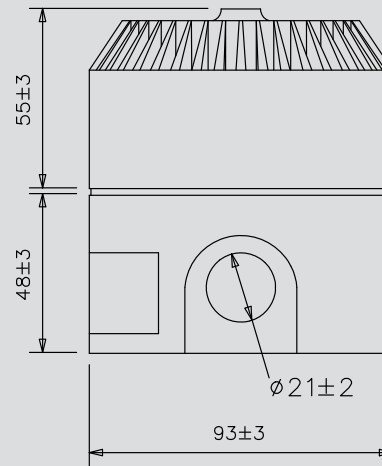
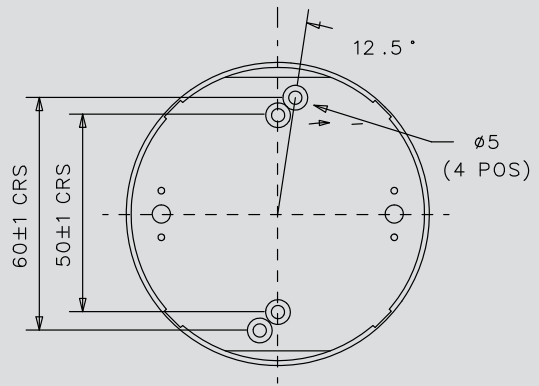


Specification

Certification: Certified to IEC60079-0, IEC60079-11, IEC60079-26
 Certified to EN60079-0, EN60079-11, EN60079-26
 ATEX Cert. No. BAS00ATEX1259X
 Ex II 1 G Ex ia IIC T4 Ga
 System Cert. No. (BAS no.) Ex 01E2024
 HSE(M) to EN50014, EN50020 and EN50303.
 Exia 1 Cert. No. MECS01ATEX4260 (unit) and
 94Y7095 (system).
 IECEx BAS 08.0043x Exia IIC T4 Ga
 FM Approved to Class 1, Div 1 groups A, B, C and
 D. J.I. 3008604.
 Refer to FM Datasheet at rear of catalogue for complete
 information.
 CSA to C22.2 Nos. 0, 0.4, 0.5, 25, 30, 205.
 Class 1 groups A, B, C and D.
 Cert. No. 79122.
 Brazilian (Inmetro) certified BR-Ex ia IIC T4
 American Bureau of Shipping Type Approval.

Material:	A.B.S. (Acrylonitrile Butadiene Styrene).
Finish:	Available in Red as standard.
Sound Output:	100± 3dB(A) for 12V and 24V versions. Typical max value only – variable with tone. Tones comply with BS 5839 Part 1.
Current Consumption:	24V model – 14 mA max. nominal. 12V model – 12 mA max. nominal.
Certified Temp:	-20°C to +55°C.
Weight:	0.3kg.
Entries:	Up to 1 x M21 Ø hole on each side via knockouts or 1 x M21 Ø rear.
Terminals:	6 off suitable to accept up to 2.5mm ² cable, for looping.



ALL DIMENSIONS IN MILLIMETERS

Ordering Requirements

The following code is designed to help in selection of the correct unit. Build up the reference number by inserting the code for each component into the appropriate box. **Standard products available ex-stock. Please visit www.coopermedc.com for further details.**

Model DB5	Certification <input type="text"/>	Voltage <input type="text"/>	Tag Label <input type="text"/>	Finish <input type="text"/>																																
	<table border="1"> <thead> <tr> <th>Certification</th> <th>Code</th> </tr> </thead> <tbody> <tr> <td>BASEEFA GP 1</td> <td>M*</td> </tr> <tr> <td>BASEEFA GP 2</td> <td>B</td> </tr> <tr> <td>IECEX</td> <td>J</td> </tr> <tr> <td>FM</td> <td>FM</td> </tr> <tr> <td>CSA</td> <td>C</td> </tr> <tr> <td>Inmetro</td> <td>IM</td> </tr> </tbody> </table>	Certification	Code	BASEEFA GP 1	M*	BASEEFA GP 2	B	IECEX	J	FM	FM	CSA	C	Inmetro	IM	<table border="1"> <thead> <tr> <th>Voltage</th> <th>Code</th> </tr> </thead> <tbody> <tr> <td>12V</td> <td>012</td> </tr> <tr> <td>24V</td> <td>024</td> </tr> </tbody> </table>	Voltage	Code	12V	012	24V	024	<table border="1"> <thead> <tr> <th>Tag Label</th> <th>Code</th> </tr> </thead> <tbody> <tr> <td>None</td> <td>N</td> </tr> <tr> <td>Yes</td> <td>Y*</td> </tr> </tbody> </table> <p>*Please specify.</p>	Tag Label	Code	None	N	Yes	Y*	<table border="1"> <thead> <tr> <th>Finish</th> <th>Code</th> </tr> </thead> <tbody> <tr> <td>Red</td> <td>R</td> </tr> <tr> <td>Special</td> <td>S*</td> </tr> </tbody> </table> <p>*Please specify.</p>	Finish	Code	Red	R	Special	S*
Certification	Code																																			
BASEEFA GP 1	M*																																			
BASEEFA GP 2	B																																			
IECEX	J																																			
FM	FM																																			
CSA	C																																			
Inmetro	IM																																			
Voltage	Code																																			
12V	012																																			
24V	024																																			
Tag Label	Code																																			
None	N																																			
Yes	Y*																																			
Finish	Code																																			
Red	R																																			
Special	S*																																			

* 12V only