

Accessories

Mounting plates for wall sockets 16 A

Type	Application	Fixing method	Order No.
Size 4	for wall mounting	snapped on	GHG 610 1953 R0126
Size 4	for trellis mounting	snapped on	GHG 610 1953 R0126
Size 4	for pipe mounting	snapped on	GHG 610 1953 R0130

Plug cap for plugs 16 A

Type	Order No.
Plug 16 A 3-pole	GHG 510 1901 R0001
Plug 16 A 4-pole	GHG 510 1901 R0002
Plug 16 A 5-pole	GHG 510 1901 R0003

Accessories for mounting plates

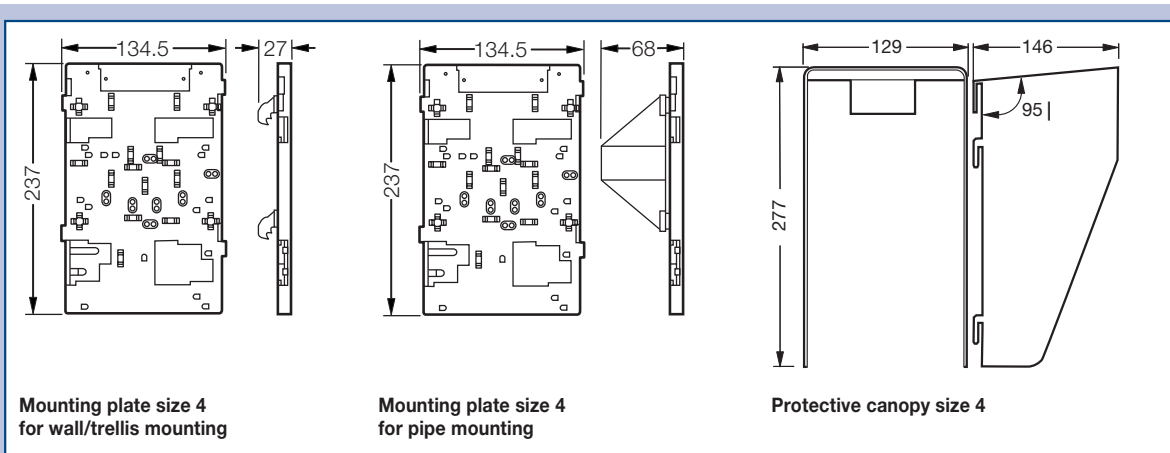
Type	OU	Order No.
Mounting set for pipes 1" (Ø 27 - 30 mm) for mounting plates with pipe fixing	10	GHG 610 1953 R0020

Please pay attention to that only order units (OU) according to the ordering details can be delivered.

Protective canopy for mounting plate

Type	Application	Order No.
Size 4	for mounting plate size 4 plugable	GHG 610 1955 R0107

Dimension drawing



Mounting plate size 4 for wall/trellis mounting

Mounting plate size 4 for pipe mounting

Protective canopy size 4

Dimensions in mm