

Specification

Certification: EN60079-0, EN60079-1, EN60079-7
 IEC60079-0, IEC60079-1, IEC60079-7 and IEC 61241-0, IEC 61241-1
 IIB Version: ATEX Cert. No. Baseefa05ATEX0198X
 Ex II 2 G Ex de IIB T3/T4
 IECEx Cert. No. IECEx BAS 05.0082X
 Ex de IIB T3/T4
 IIC Version: ATEX Cert. No. Baseefa05ATEX0199X
 Ex II 2 GD Ex de IIC T4/T5 ,
 Ex tD A21 T100°C/T115°C/T130°C
 IECEx Cert. No. IECEx BAS 05.0083X
 Ex de IIC T4/T5 , Ex tD A21 T100°C/T115°C/T130°C
 Zone 1 & 2 and Zone 21 & 22
 GOST 'R' Certification: 2Exde IIC T4
 GOST 'K' Certification: Exde IIC T4
 Brazilian (Inmetro) Certified: BR-Ex de IIC T5/115°C

Material: Body & Cover - Natural black, UV stable, glass reinforced polyester.
 Outer flare - UV stable ABS

Finish: Natural ABS finish equivalent to RAL9010.

Rated Power: 4 Watts RMS continuous (at 25°C).

Output: Maximum output at 1W/1M is 100 dB(A)
 Maximum output at 4W/1M is 106 dB(A)
 *Other wattages available contact MEDC sales for details.

Frequency Range: 400Hz to 7kHz.

Voice Coil Impedance: 8 ohms.

Certified Temp: -50 °C to +70 °C (T4) and Tamb -50 °C to +40 °C (T5)

Weight: 1.5kg approx

Ingress Protection: IP66 & IP67

Entries: ATEX & IEC 2 x M20 ISO + 1 x certified plug

Terminals: 4 x 4.0mm².

Mounting: Via integral ceiling-mount bezel.

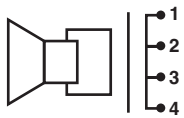
Ceiling Cutout: Ø175mm.

Earth Continuity: Available via optional earthing stud.

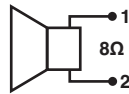
Transformer: Used by combining the rated power tapings below.

Transformer Tappings	Power (Watts) (4W unit)
1:2	4.00
2:3	2.00
3:4	1.00
1:3	0.75
2:4	0.38
1:4	0.20

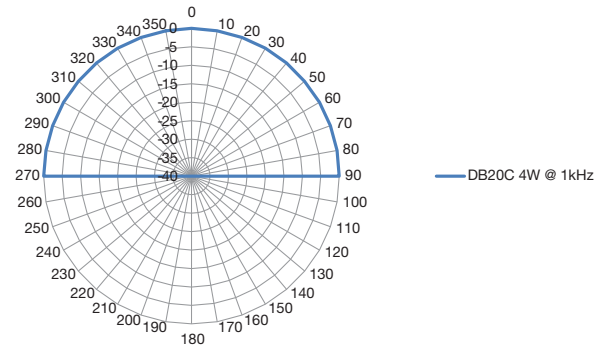
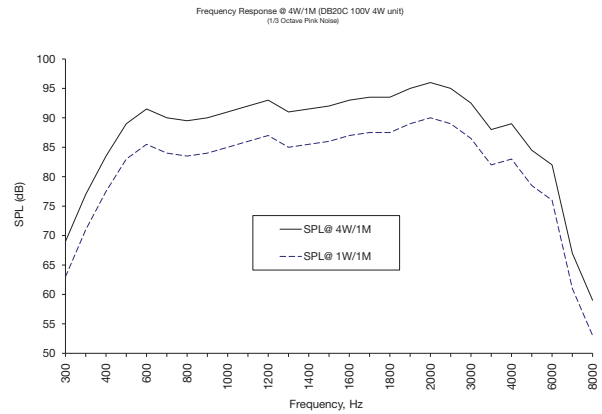
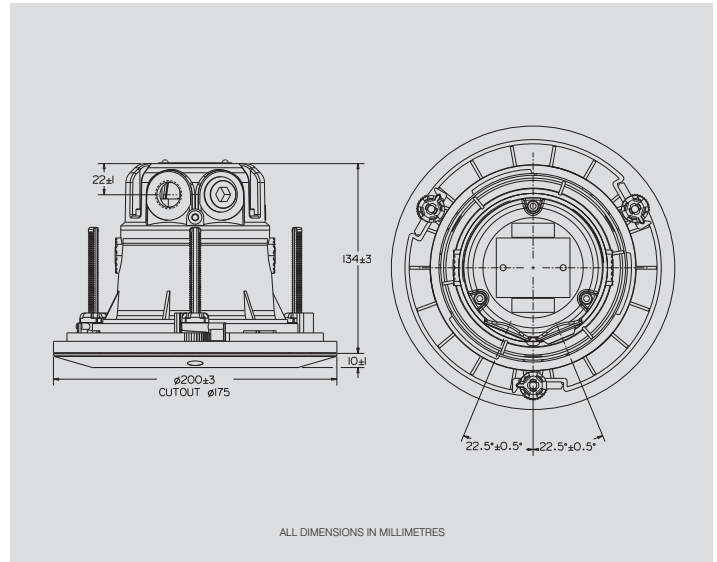
Transformer Tapping Options:



4 Terminal tap change



Direct 8ohm connection to driver, 2 spare terminals if loop in/loop out required.



Ordering Requirements

The following code is designed to help in selection of the correct unit. Build up the reference number by inserting the code for each component into the appropriate box.

Model	Certification	Transformer	Options																										
DB20C	<input type="text"/>	<input type="text"/>	<input type="text"/>																										
	<table border="1"> <thead> <tr> <th>Certification</th> <th>Code</th> </tr> </thead> <tbody> <tr> <td>ATEX IIC</td> <td>BC</td> </tr> <tr> <td>IECEX IIC</td> <td>JC</td> </tr> <tr> <td>Inmetro IIC</td> <td>MC</td> </tr> <tr> <td>GOST R IIC</td> <td>GC</td> </tr> <tr> <td>GOST K IIC</td> <td>KC</td> </tr> </tbody> </table>	Certification	Code	ATEX IIC	BC	IECEX IIC	JC	Inmetro IIC	MC	GOST R IIC	GC	GOST K IIC	KC	<table border="1"> <thead> <tr> <th>Transformer</th> <th>Code</th> </tr> </thead> <tbody> <tr> <td>Transformer</td> <td>X*</td> </tr> <tr> <td>8ohm version</td> <td>N</td> </tr> </tbody> </table> <p>*100V Line Std 70V Line available please specify</p>	Transformer	Code	Transformer	X*	8ohm version	N	<table border="1"> <thead> <tr> <th>Options</th> <th>Code</th> </tr> </thead> <tbody> <tr> <td>None</td> <td>N</td> </tr> <tr> <td>Tag label</td> <td>T*</td> </tr> <tr> <td>Earth continuity</td> <td>E</td> </tr> </tbody> </table> <p>* Please specify.</p>	Options	Code	None	N	Tag label	T*	Earth continuity	E
Certification	Code																												
ATEX IIC	BC																												
IECEX IIC	JC																												
Inmetro IIC	MC																												
GOST R IIC	GC																												
GOST K IIC	KC																												
Transformer	Code																												
Transformer	X*																												
8ohm version	N																												
Options	Code																												
None	N																												
Tag label	T*																												
Earth continuity	E																												