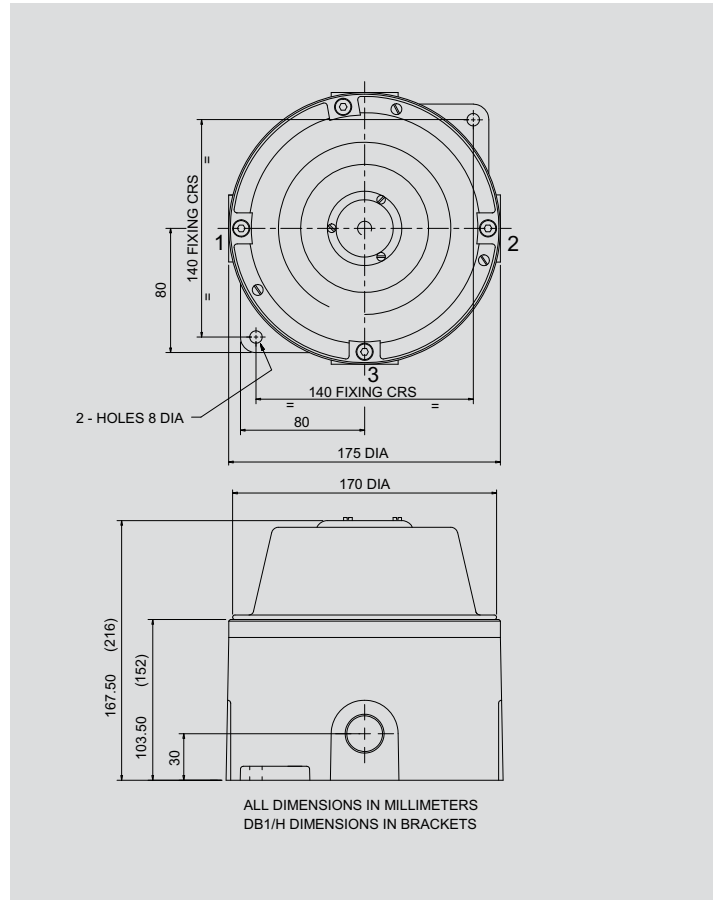


Specification

Certification:	Certified to IEC60079-0, IEC60079-1 Certified to EN60079-0, EN60079-1 DB1P - ATEX - Baseefa02ATEX0207X Ex II 2 G Ex d IIB T6 Gb DB1HP- ATEX - Baseefa02ATEX0209X Ex II 2 G Ex d IIB T5 Gb Zones 1 & 2. DB1P - IECEx BAS 10.0065X Exd IIB T6 Gb. DB1HP - IECEx BAS 10.0064X Exd IIB T5 Gb. UL Listing: Class I, Div 1, Groups C & D. Listing No. E187688. Refer to UL data sheet at rear of catalogue for complete information. GOST 'R' Certification: 1Exd IIB T4 (DB1 & DB1P only). Brazilian (Inmetro) Certification: BR-Ex d IIB T3
Material:	LM25 corrosion resistant alloy or ANC4B stainless steel with stainless steel cover screws. ABS flare.
Finish:	Epoxy paint finish as standard or to customer specification.
Certified Temp:	ATEX/CENELEC -20°C to +55°C (DB1 & DB1P). ATEX/CENELEC -20°C to +70°C (DB1H & DB1HP). UL -25°C to +70°C.
Weight:	DB1(P) 3.5 Kg Alloy, 8.3 Kg stainless. DB1H(P) 5.6 Kg Alloy, 12.7 Kg stainless.
Ingress Protection:	IP66
Entries:	Up to 3 x M25 or M20 ISO.
Terminals:	Suitable to accept up to 4mm ² cable. Note: Terminals limited to 2.5mm ² cable on a.c. version with telephone initiate option only.
Output:	DB1(P)=103±3dB(A) (96±3dB(A) for 12V DB1). DB1H(P)=110 ± 3dB(A) @ 1 metre. Note: Sound level is dependent upon the tone selection.
Labels:	Tag and Duty labels optional.
Tone Selection:	Single Stage Unit a.c. 27 user selectable tones including, PFEER/UK00A tones. Two Stage Unit d.c. Switchable between any two of the 27 tones by either: (i) Reversing the polarity of the supply, or (ii) By a 3 wire common +ve system, switching between the two -ve lines. Note: Reverse monitoring is achievable on Two Stage Version by selection of terminals.



Current Consumption:

	DB1(P)	DB1H(P)
12V	125mA	900mA
24V	250mA	700mA
48V	250mA	-
120V	60mA	200mA
240V	50mA	100mA

Ordering Requirements

The following code is designed to help in selection of the correct unit. Build up the reference number by inserting the code for each component into the appropriate box. **Standard products available for immediate shipping - contact sales office for details.**

Model	Certification	Material	Voltage	Entries	Duty	Tag	Options	Finish																																																																																				
<input type="text"/> DB1P DB1HP	<input type="text"/> <table border="1"> <thead> <tr> <th>Certification</th> <th>Code</th> </tr> </thead> <tbody> <tr><td>ATEX/CENELEC</td><td>B</td></tr> <tr><td>IECEX</td><td>J</td></tr> <tr><td>UL</td><td>UL</td></tr> <tr><td>GOST 'R'</td><td>G</td></tr> <tr><td>Inmetro</td><td>DM</td></tr> <tr><td colspan="2">UL - Available Alloy only.</td></tr> <tr><td colspan="2">- 12V d.c., 24V d.c., 48V d.c.</td></tr> <tr><td colspan="2">110V a.c. only.</td></tr> </tbody> </table>	Certification	Code	ATEX/CENELEC	B	IECEX	J	UL	UL	GOST 'R'	G	Inmetro	DM	UL - Available Alloy only.		- 12V d.c., 24V d.c., 48V d.c.		110V a.c. only.		<input type="text"/> <table border="1"> <thead> <tr> <th>Material</th> <th>Code</th> </tr> </thead> <tbody> <tr><td>Alloy</td><td>A</td></tr> <tr><td>Stainless Steel</td><td>S</td></tr> </tbody> </table>	Material	Code	Alloy	A	Stainless Steel	S	<input type="text"/> <table border="1"> <thead> <tr> <th>Voltage</th> <th>Code</th> </tr> </thead> <tbody> <tr><td>12V d.c.</td><td>012</td></tr> <tr><td>24V d.c.</td><td>024</td></tr> <tr><td>48V d.c.</td><td>048</td></tr> <tr><td>110V a.c.</td><td>110</td></tr> <tr><td>240V a.c.</td><td>240</td></tr> </tbody> </table>	Voltage	Code	12V d.c.	012	24V d.c.	024	48V d.c.	048	110V a.c.	110	240V a.c.	240	<input type="text"/> <table border="1"> <thead> <tr> <th>Entries</th> <th>Code</th> </tr> </thead> <tbody> <tr><td>M20</td><td>A</td></tr> <tr><td>M25</td><td>B</td></tr> <tr><td>1/2" NPT (UL Only)</td><td>C</td></tr> <tr><td>3/4" NPT (UL Only)</td><td>D</td></tr> <tr><td>LHS</td><td>*1</td></tr> <tr><td>RHS</td><td>*2</td></tr> <tr><td>Bottom</td><td>*3</td></tr> </tbody> </table>	Entries	Code	M20	A	M25	B	1/2" NPT (UL Only)	C	3/4" NPT (UL Only)	D	LHS	*1	RHS	*2	Bottom	*3	<input type="text"/> <table border="1"> <thead> <tr> <th>Duty</th> <th>Code</th> </tr> </thead> <tbody> <tr><td>None</td><td>N</td></tr> <tr><td>Required</td><td>D*</td></tr> </tbody> </table> <p>* Please specify wording.</p>	Duty	Code	None	N	Required	D*	<input type="text"/> <table border="1"> <thead> <tr> <th>Tag</th> <th>Code</th> </tr> </thead> <tbody> <tr><td>None</td><td>N</td></tr> <tr><td>Required</td><td>T*</td></tr> </tbody> </table> <p>* Please specify wording.</p>	Tag	Code	None	N	Required	T*	<input type="text"/> <table border="1"> <thead> <tr> <th>Options</th> <th>Code</th> </tr> </thead> <tbody> <tr><td>Not required</td><td>N</td></tr> <tr><td>Telephone Initiate</td><td>T</td></tr> <tr><td>Relay Initiate</td><td>R</td></tr> <tr><td>Remote Tone Select</td><td>S</td></tr> <tr><td>End of line resistor</td><td>E*</td></tr> </tbody> </table> <p>* State value.</p>	Options	Code	Not required	N	Telephone Initiate	T	Relay Initiate	R	Remote Tone Select	S	End of line resistor	E*	<input type="text"/> <table border="1"> <thead> <tr> <th>Finish</th> <th>Code</th> </tr> </thead> <tbody> <tr><td>Red</td><td>R</td></tr> <tr><td>Grey</td><td>G</td></tr> <tr><td>Special</td><td>S*</td></tr> </tbody> </table> <p>* Please specify.</p>	Finish	Code	Red	R	Grey	G	Special	S*
Certification	Code																																																																																											
ATEX/CENELEC	B																																																																																											
IECEX	J																																																																																											
UL	UL																																																																																											
GOST 'R'	G																																																																																											
Inmetro	DM																																																																																											
UL - Available Alloy only.																																																																																												
- 12V d.c., 24V d.c., 48V d.c.																																																																																												
110V a.c. only.																																																																																												
Material	Code																																																																																											
Alloy	A																																																																																											
Stainless Steel	S																																																																																											
Voltage	Code																																																																																											
12V d.c.	012																																																																																											
24V d.c.	024																																																																																											
48V d.c.	048																																																																																											
110V a.c.	110																																																																																											
240V a.c.	240																																																																																											
Entries	Code																																																																																											
M20	A																																																																																											
M25	B																																																																																											
1/2" NPT (UL Only)	C																																																																																											
3/4" NPT (UL Only)	D																																																																																											
LHS	*1																																																																																											
RHS	*2																																																																																											
Bottom	*3																																																																																											
Duty	Code																																																																																											
None	N																																																																																											
Required	D*																																																																																											
Tag	Code																																																																																											
None	N																																																																																											
Required	T*																																																																																											
Options	Code																																																																																											
Not required	N																																																																																											
Telephone Initiate	T																																																																																											
Relay Initiate	R																																																																																											
Remote Tone Select	S																																																																																											
End of line resistor	E*																																																																																											
Finish	Code																																																																																											
Red	R																																																																																											
Grey	G																																																																																											
Special	S*																																																																																											

* Prefix position with entry size code e.g. A1A3 = M20 left and bottom entries.