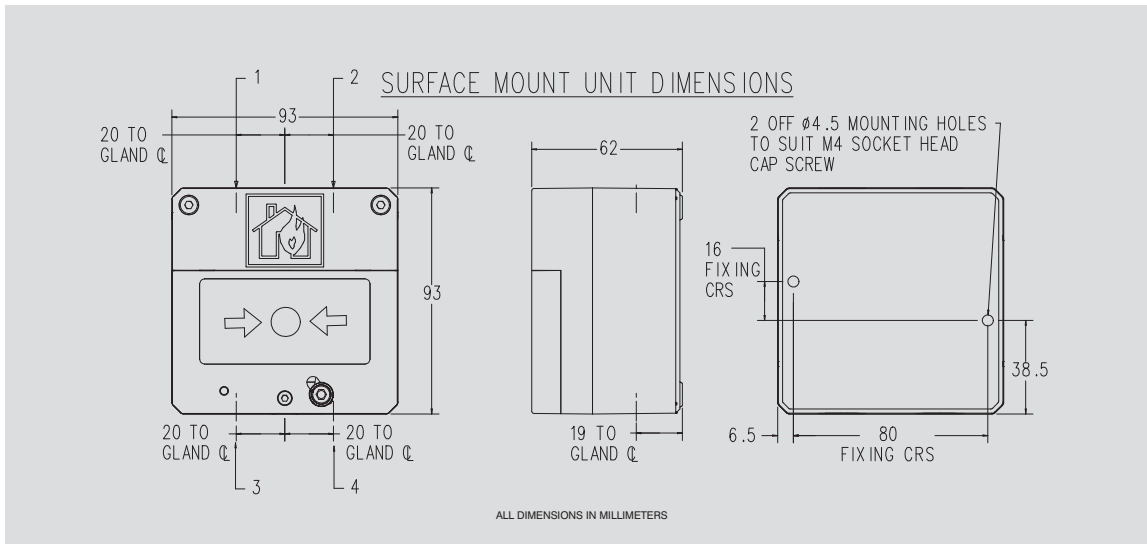




# Specification

	BG3I	BG3W
<b>Protection:</b>	Explosion Protected Exi (Intrinsically Safe)	Dust-tight & Weatherproof
<b>Certification:</b>	CENELEC EN50014, 020 BASEEFA Exia IIC T4 Cert No. BAS00ATEX1067X Suitable for use in Zones 0, 1 & 2 Chinese Certification CQST – Exia IIC T4†	Not applicable
<b>Voltage:</b>	Up to 28V (IS)	Up to 250V a.c.
<b>Certified Temperature:</b>	-55°C to +55°C	Not applicable
<b>Ingress protection:</b>	IP66 & IP67	IP66 & IP67
<b>European Standard for Call Points:</b>	EN54-11	EN54-11
<b>Terminals:</b>	6 x 4.0mm <sup>2</sup>	6 x 4.0mm <sup>2</sup>
<b>Switch Ratings:</b>	Not Applicable	d.c. 0V - 30V 3A resistive or inductive 30V - 50V 1A resistive or inductive a.c. 0 - 250V 3A resistive or inductive
<b>Resistor Values:</b>	470R Minimum	270R Minimum
<b>Cable Entries:</b>	2 x M20 top or bottom	2 x M20 top or bottom
<b>Weight:</b>	0.5Kg	0.5Kg
<b>Material:</b>	UV resistant glass reinforced polyester	UV resistant glass reinforced polyester
<b>Finish:</b>	Natural Red GRP or Painted GRP to Customer requirements	Natural Red GRP or Painted GRP to Customer requirements
<b>Duty/Tag Labels:</b>	Stainless steel as standard	Plastic as standard



## Ordering Requirements

The following code is designed to help in selection of the correct unit. Build up the reference number by inserting the code for each component into the appropriate box. **Standard products available ex-stock. Please visit [www.coopermedc.com](http://www.coopermedc.com) for further details.**

Model	Certification	Labels	Options	Entries	Finish																																																																								
BG3																																																																													
	<table border="1"> <thead> <tr> <th>Certification</th> <th>Code</th> </tr> </thead> <tbody> <tr> <td>Weatherproof</td> <td>W</td> </tr> <tr> <td>Exia</td> <td>I</td> </tr> <tr> <td>Chinese (CQST)</td> <td>Q†</td> </tr> </tbody> </table> <p>† Not suitable for use in China on fire alarm systems.</p>	Certification	Code	Weatherproof	W	Exia	I	Chinese (CQST)	Q†	<table border="1"> <thead> <tr> <th>Label</th> <th>Code</th> </tr> </thead> <tbody> <tr> <td>Glass Label</td> <td></td> </tr> <tr> <td>Fire Break Glass 'Press Here'</td> <td>1</td> </tr> <tr> <td>Break Glass 'Press Here'</td> <td>2</td> </tr> <tr> <td>Special</td> <td>3*</td> </tr> <tr> <td>European Standard</td> <td>4</td> </tr> <tr> <td colspan="2">-----</td> </tr> <tr> <td>Duty Label (special)</td> <td>5*</td> </tr> <tr> <td>Burning House </td> <td>as standard</td> </tr> <tr> <td colspan="2">-----</td> </tr> <tr> <td>Tag Label</td> <td>6*</td> </tr> </tbody> </table> <p>* Specify wording</p>	Label	Code	Glass Label		Fire Break Glass 'Press Here'	1	Break Glass 'Press Here'	2	Special	3*	European Standard	4	-----		Duty Label (special)	5*	Burning House	as standard	-----		Tag Label	6*	<table border="1"> <thead> <tr> <th>Options</th> <th>Code</th> </tr> </thead> <tbody> <tr> <td>None</td> <td>N</td> </tr> <tr> <td>Resistor Series</td> <td>S*</td> </tr> <tr> <td>Resistor EOL</td> <td>E*</td> </tr> <tr> <td>Diode</td> <td>D</td> </tr> <tr> <td>Polycarbonate Lift flap</td> <td>F</td> </tr> <tr> <td>Stainless steel Lift flap</td> <td>C</td> </tr> <tr> <td>LED</td> <td>L</td> </tr> <tr> <td>Double Changeover</td> <td>T</td> </tr> <tr> <td>Plastic Element</td> <td>P</td> </tr> <tr> <td>(replaces break glass)</td> <td></td> </tr> </tbody> </table> <p>* Please specify</p>	Options	Code	None	N	Resistor Series	S*	Resistor EOL	E*	Diode	D	Polycarbonate Lift flap	F	Stainless steel Lift flap	C	LED	L	Double Changeover	T	Plastic Element	P	(replaces break glass)		<table border="1"> <thead> <tr> <th>Entries</th> <th>Code</th> </tr> </thead> <tbody> <tr> <td>2 x M20 (bottom)</td> <td>B</td> </tr> <tr> <td>2 x M20 (top)</td> <td>T</td> </tr> </tbody> </table> <p>For blanking plugs add "P" to code. e.g. BP 2 x M20 bottom entries with one blanking plug.</p>	Entries	Code	2 x M20 (bottom)	B	2 x M20 (top)	T	<table border="1"> <thead> <tr> <th>Finish</th> <th>Code</th> </tr> </thead> <tbody> <tr> <td>Natural Red</td> <td>R</td> </tr> <tr> <td>Blue</td> <td>B</td> </tr> <tr> <td>Green</td> <td>G</td> </tr> <tr> <td>White</td> <td>W</td> </tr> <tr> <td>Yellow</td> <td>Y</td> </tr> <tr> <td>Special</td> <td>S*</td> </tr> </tbody> </table> <p>* Please specify</p>	Finish	Code	Natural Red	R	Blue	B	Green	G	White	W	Yellow	Y	Special	S*
Certification	Code																																																																												
Weatherproof	W																																																																												
Exia	I																																																																												
Chinese (CQST)	Q†																																																																												
Label	Code																																																																												
Glass Label																																																																													
Fire Break Glass 'Press Here'	1																																																																												
Break Glass 'Press Here'	2																																																																												
Special	3*																																																																												
European Standard	4																																																																												
-----																																																																													
Duty Label (special)	5*																																																																												
Burning House	as standard																																																																												
-----																																																																													
Tag Label	6*																																																																												
Options	Code																																																																												
None	N																																																																												
Resistor Series	S*																																																																												
Resistor EOL	E*																																																																												
Diode	D																																																																												
Polycarbonate Lift flap	F																																																																												
Stainless steel Lift flap	C																																																																												
LED	L																																																																												
Double Changeover	T																																																																												
Plastic Element	P																																																																												
(replaces break glass)																																																																													
Entries	Code																																																																												
2 x M20 (bottom)	B																																																																												
2 x M20 (top)	T																																																																												
Finish	Code																																																																												
Natural Red	R																																																																												
Blue	B																																																																												
Green	G																																																																												
White	W																																																																												
Yellow	Y																																																																												
Special	S*																																																																												

All the above specifications, dimensions, weights and tolerances are nominal (typical) and Cooper MEDC reserve the right to vary all data without prior notice. No liability is accepted for any consequence of use.

