

Features

Breakglass Model

- No hammer required – the glass is covered by a membrane thus protecting the operator from glass fragments.
- A plastic 'Break glass' or deformable operating element is available to replace the break glass*.

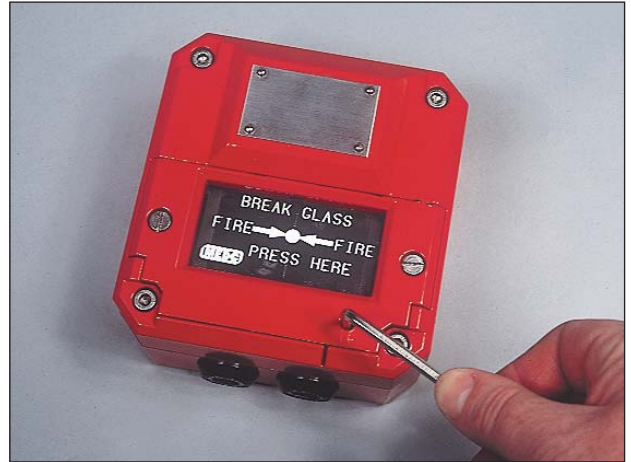
Once the flexible element is pressed it bends but will not break. The unit is reset by repositioning the element. All other functions remain the same.

- Complies with the British Standard for call points.
- Key operated test facility – simple but secure.
- Breakglass hammer available.

Pushbutton Model

- Stayput as standard or self reset available.
- Lift Flap as standard. (Not turn and push model).

*Note: Deformable operating element does not comply with BS5839 Part 2.

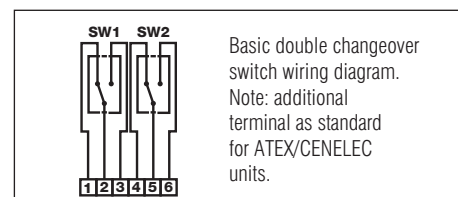
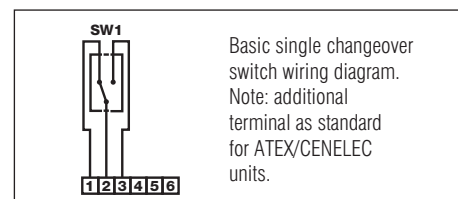


Specification

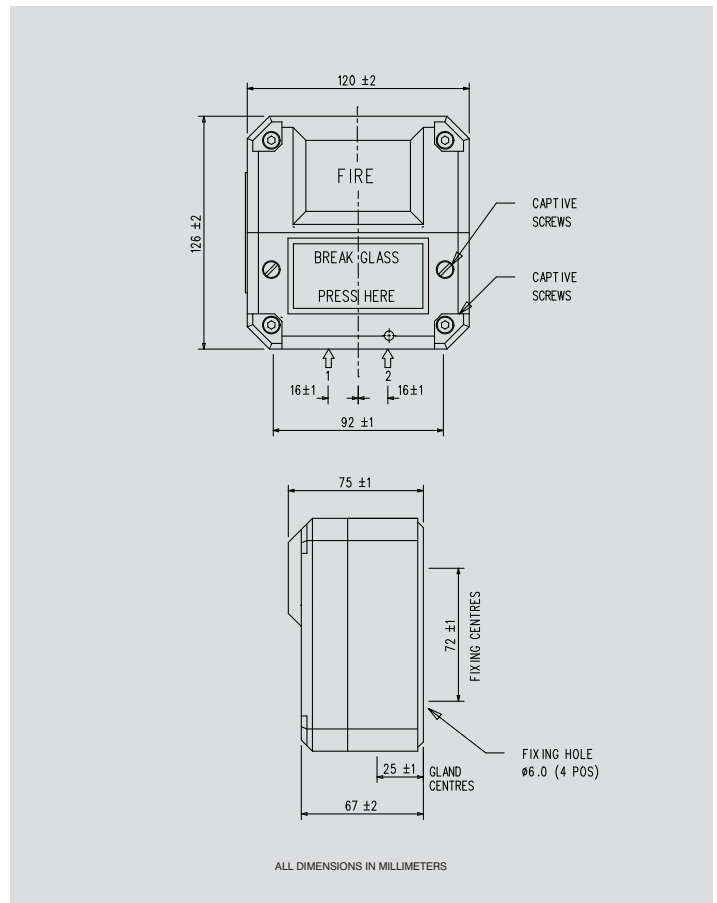
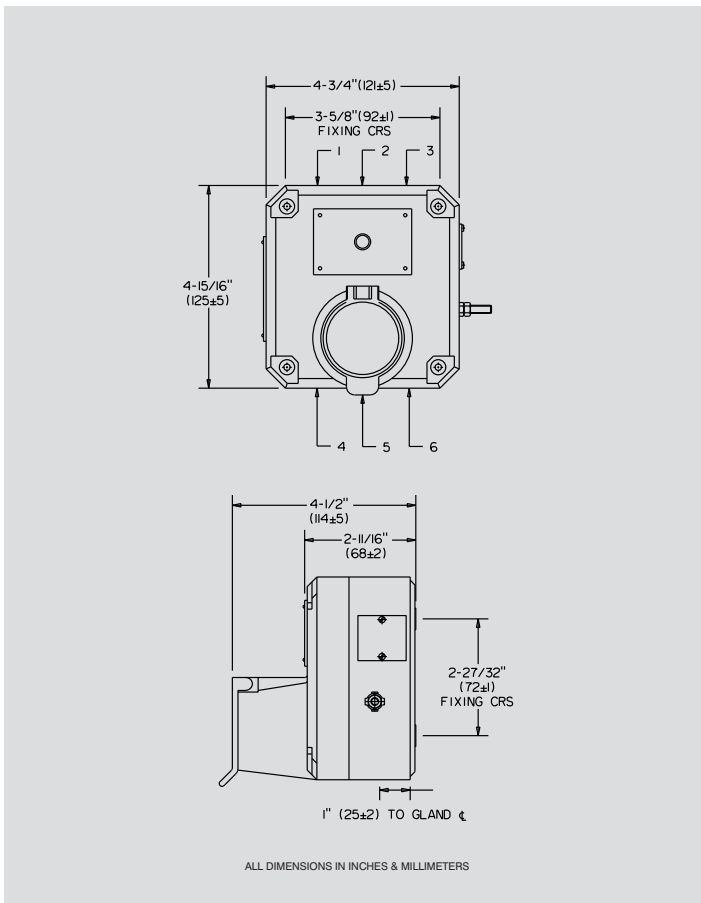
Model:	BGW & PBW	*BGUL & PBUL	BGE & PBE	BGI & PBI
Protection:	Weatherproof/ dust proof	Explosion Protected Class I, Div 2 Class II, Div 2	Explosion Protected Exed (Increased Safety)	Explosion Protected Exia (Intrinsically Safe)
Certification:	Weatherproof/ dust proof IP66/IP67	UL Listed to Class I, Div 2, Groups A-D BGUL & PBUL Class II, Div 2, Groups F & G (PBUL only) Listing No. E186629 UL listed for ordinary locations Listing No. S8117 *Refer to UL data sheet at rear of catalogue for complete information	ATEX approved Ex II 2GD BAS02ATEX2105X (PB only) ATEX approved Ex II 2G BAS02ATEX2105X (BG only) Exed IIC T6 (switch only) Exedm IIC T4 (other versions) CENELEC EN50014 EN50019 EN50018 EN50028 Suitable for use in Zones 1 & 2 Chinese Certification (PBE & BGE): CQST – Exed IIC T6 (switch only) Exedm IIC T4 (other versions) GOST 'R' Certification (PBE & BGE): Exedm IIC T6 Exedm IIC T4 (other versions) Russian Fire Approved Brazilian (Inmetro) Certification: BR-Ex emd IIC T4 or BR-Ex ed IIC T6 SIL 2 Certification to 61508. Cert. No. Sira 11013 (BGE only). American Bureau of Shipping Type Approval BGE only	ATEX approved Ex II 1GD Baseefa 03ATEX0084X (PB only) ATEX approved Ex II 1G Baseefa 03ATEX0084X (BG only) Exia IIC T4 CENELEC EN50014 CENELEC EN50020 Suitable for use in Zones 0, 1 & 2 CSA Certification to C22.2 (PBI only): Nos.0-M, 0.4-M, 14-M, 25, 30-M, 94, 142-M1987, 157-M1987, 157-92, Enclosure Type 4. T4A Class I Groups A, B, C & D Cert. No. 79120 GOST 'R' Certification (PBI & BGI): Exia IIC T4 Russian Fire Approved GOST 'K' Certification (PBI only): Exia IIC T4 Chinese Certification (PBI & BGI): CQST – Exia IIC T4 Brazilian (Inmetro) Certification: BR-Ex ia IIC T4 American Bureau of Shipping Type Approval
Voltage:	Up to 254V	Up to 240V	Up to 250V	Up to 28V (IS)
Certified Temp:	-40°C to +55°C Weatherproof	-25°C to +55°C (PBUL) -25°C to +55°C (BGUL) UL Version	-20°C to +50°C	ATEX/CENELEC -40°C to +70°C (PBI) ATEX/CENELEC -40°C to +50°C (BGI) CSA -50°C to +40°C (PBI only)
Switch Ratings: (1 or 2 changeover switches fitted)	d.c. - 0-30v 5A (resistive) or 3A (inductive) 30-50 1A resistive or inductive a.c. - 0-254V 5A resistive or inductive			NOT APPLICABLE

Note: UL versions Max Rating 240VAC, 3A

Material:	Anti static U.V. resistant glass reinforced polyester.
Finish:	Red painted finish as standard or to Customer specification.
British Standard for Call Points:	BS 5839 : Part 2 : 1983 (BG).
Weight:	1.2 kg. (Varies with model & entries).
Ingress Protection:	IP66 & IP67.
Entries:	Up to 4 entries, M16 or M20 top and bottom (1/2" NPT available on UL version).
Terminals:	6 x 2.5mm ² – standard (BGUL only). 7 x 2.5mm ² – standard. 9 x 2.5mm ² optional – up to 60V only.
Resistors & Diodes:	Various configurations available on versions up to 24V and all "IS" versions. (Minimum Resistor value 100ΩPBE/BGE, 470ΩPBI/BGI).
Earth Continuity:	Internal & external earth continuity is provided via an optional earth plate.
LED Indication:	A high intensity red LED can be fitted as an optional extra to indicate operation on versions up to 24V and all "IS" versions.
Labels:	BG Glass label - reads either (1) Fire Break glass – press here (2) Break glass – press here (3) Worded to customer requirements. PB & BG Duty label - worded to customer requirements. Rivetted on. PB & BG Tag label - worded to customer requirements. Screwed on.



For versions containing inline and end of line resistors or diodes, please specify your requirements.



Ordering Requirements

The following code is designed to help in selection of the correct unit. Build up the reference number by inserting the code for each component into the appropriate box. **Standard products available ex-stock. Please visit www.coopermedc.com for further details.**

Model	Certification	Entries	Labels	Voltage	Switches	Options	Terminals	Finish																																																																																																																
BG PB	<table border="1"> <thead> <tr> <th>Certification</th> <th>Code</th> </tr> </thead> <tbody> <tr><td>ATEX/CENELEC – Ex ed</td><td>EB</td></tr> <tr><td>ATEX/CENELEC – Exi</td><td>IB</td></tr> <tr><td>CSA – Exi (PBI only)</td><td>IC</td></tr> <tr><td>UL – Listed</td><td>UL</td></tr> <tr><td>UL - Ordinary locations</td><td>UW</td></tr> <tr><td>GOST 'R' – Exi</td><td>IG*</td></tr> <tr><td>GOST 'R' – Ex ed</td><td>EG*</td></tr> <tr><td>GOST 'K' – Exi (PBI only)</td><td>IK</td></tr> <tr><td>CQST – Ex ed</td><td>EQ†</td></tr> <tr><td>CQST – Exi</td><td>IQ†</td></tr> <tr><td>Inmetro – Ex ed</td><td>EM</td></tr> <tr><td>Inmetro – Exi</td><td>IM</td></tr> <tr><td>Uncertified</td><td>WN</td></tr> </tbody> </table> <p>* Russian Fire Approved as standard. † Not suitable for use in China on fire alarm systems</p>	Certification	Code	ATEX/CENELEC – Ex ed	EB	ATEX/CENELEC – Exi	IB	CSA – Exi (PBI only)	IC	UL – Listed	UL	UL - Ordinary locations	UW	GOST 'R' – Exi	IG*	GOST 'R' – Ex ed	EG*	GOST 'K' – Exi (PBI only)	IK	CQST – Ex ed	EQ†	CQST – Exi	IQ†	Inmetro – Ex ed	EM	Inmetro – Exi	IM	Uncertified	WN	<table border="1"> <thead> <tr> <th>Entries</th> <th>Code</th> </tr> </thead> <tbody> <tr><td>M16</td><td>*A</td></tr> <tr><td>M20</td><td>*B</td></tr> <tr><td>1/2" NPT</td><td>*C</td></tr> </tbody> </table> <p>*Prefix entry size (see diagram above) with entry position code e.g. 1A, 2A, 4B, 6B. UL & CSA versions only available with 1/2" NPT entries.</p>	Entries	Code	M16	*A	M20	*B	1/2" NPT	*C	<table border="1"> <thead> <tr> <th>Labels</th> <th>Code</th> </tr> </thead> <tbody> <tr><td>None</td><td>0</td></tr> <tr><td>Glass label (1) reqd.</td><td>1</td></tr> <tr><td>Glass label (2) reqd.</td><td>2</td></tr> <tr><td>Glass label (3) reqd.</td><td>3*</td></tr> <tr><td>Duty label reqd.</td><td>4*</td></tr> <tr><td>Tag label reqd.</td><td>5*</td></tr> </tbody> </table> <p>* Specify wording on 3, 4 or 5 as required.</p>	Labels	Code	None	0	Glass label (1) reqd.	1	Glass label (2) reqd.	2	Glass label (3) reqd.	3*	Duty label reqd.	4*	Tag label reqd.	5*	<table border="1"> <thead> <tr> <th>Voltage</th> <th>Code</th> </tr> </thead> <tbody> <tr><td>a.c.</td><td>A</td></tr> <tr><td>d.c.</td><td>D</td></tr> </tbody> </table>	Voltage	Code	a.c.	A	d.c.	D	<table border="1"> <thead> <tr> <th>Options</th> <th>Code</th> </tr> </thead> <tbody> <tr><td>None</td><td>N</td></tr> <tr><td>LED</td><td>A</td></tr> <tr><td>Lift Flap (BG only)</td><td>B</td></tr> <tr><td>Resistor Series</td><td>C*</td></tr> <tr><td>Resistor EOL</td><td>D*</td></tr> <tr><td>Diode</td><td>E†</td></tr> <tr><td>Earth Continuity</td><td>F**</td></tr> <tr><td>Turn & Push (PB only)</td><td>T†</td></tr> <tr><td>Self reset (PB only)</td><td>M</td></tr> <tr><td>Resistor Series & EOL</td><td>S*‡</td></tr> <tr><td>Plastic element replaces Break glass</td><td>P</td></tr> </tbody> </table> <p>* Specify values † Not available for UL/CSA versions. ‡ Choose for BGE or PBE only – on BGI/W or PBI/W choose C & D ** Must be selected when selecting CSA certification</p>	Options	Code	None	N	LED	A	Lift Flap (BG only)	B	Resistor Series	C*	Resistor EOL	D*	Diode	E†	Earth Continuity	F**	Turn & Push (PB only)	T†	Self reset (PB only)	M	Resistor Series & EOL	S*‡	Plastic element replaces Break glass	P	<table border="1"> <thead> <tr> <th>Switches</th> <th>Code</th> </tr> </thead> <tbody> <tr><td>Single changeover</td><td>S</td></tr> <tr><td>Double changeover</td><td>D</td></tr> </tbody> </table>	Switches	Code	Single changeover	S	Double changeover	D	<table border="1"> <thead> <tr> <th>Terminals</th> <th>Code</th> </tr> </thead> <tbody> <tr><td>6 x 2.5mm² (standard)</td><td>6*</td></tr> <tr><td>7 x 2.5mm² (standard)</td><td>7</td></tr> <tr><td>9 x 2.5mm² (optional)</td><td>9</td></tr> </tbody> </table> <p>* BGUL only available with six terminals</p>	Terminals	Code	6 x 2.5mm ² (standard)	6*	7 x 2.5mm ² (standard)	7	9 x 2.5mm ² (optional)	9	<table border="1"> <thead> <tr> <th>Finish</th> <th>Code</th> </tr> </thead> <tbody> <tr><td>Red (Standard)</td><td>R</td></tr> <tr><td>Natural Black</td><td>N</td></tr> <tr><td>Blue</td><td>B</td></tr> <tr><td>Yellow</td><td>Y</td></tr> <tr><td>Grey</td><td>G</td></tr> <tr><td>Yellow/Black</td><td>X</td></tr> <tr><td>Stripes</td><td></td></tr> <tr><td>Special</td><td>S*</td></tr> </tbody> </table> <p>* Please specify</p>	Finish	Code	Red (Standard)	R	Natural Black	N	Blue	B	Yellow	Y	Grey	G	Yellow/Black	X	Stripes		Special	S*
Certification	Code																																																																																																																							
ATEX/CENELEC – Ex ed	EB																																																																																																																							
ATEX/CENELEC – Exi	IB																																																																																																																							
CSA – Exi (PBI only)	IC																																																																																																																							
UL – Listed	UL																																																																																																																							
UL - Ordinary locations	UW																																																																																																																							
GOST 'R' – Exi	IG*																																																																																																																							
GOST 'R' – Ex ed	EG*																																																																																																																							
GOST 'K' – Exi (PBI only)	IK																																																																																																																							
CQST – Ex ed	EQ†																																																																																																																							
CQST – Exi	IQ†																																																																																																																							
Inmetro – Ex ed	EM																																																																																																																							
Inmetro – Exi	IM																																																																																																																							
Uncertified	WN																																																																																																																							
Entries	Code																																																																																																																							
M16	*A																																																																																																																							
M20	*B																																																																																																																							
1/2" NPT	*C																																																																																																																							
Labels	Code																																																																																																																							
None	0																																																																																																																							
Glass label (1) reqd.	1																																																																																																																							
Glass label (2) reqd.	2																																																																																																																							
Glass label (3) reqd.	3*																																																																																																																							
Duty label reqd.	4*																																																																																																																							
Tag label reqd.	5*																																																																																																																							
Voltage	Code																																																																																																																							
a.c.	A																																																																																																																							
d.c.	D																																																																																																																							
Options	Code																																																																																																																							
None	N																																																																																																																							
LED	A																																																																																																																							
Lift Flap (BG only)	B																																																																																																																							
Resistor Series	C*																																																																																																																							
Resistor EOL	D*																																																																																																																							
Diode	E†																																																																																																																							
Earth Continuity	F**																																																																																																																							
Turn & Push (PB only)	T†																																																																																																																							
Self reset (PB only)	M																																																																																																																							
Resistor Series & EOL	S*‡																																																																																																																							
Plastic element replaces Break glass	P																																																																																																																							
Switches	Code																																																																																																																							
Single changeover	S																																																																																																																							
Double changeover	D																																																																																																																							
Terminals	Code																																																																																																																							
6 x 2.5mm ² (standard)	6*																																																																																																																							
7 x 2.5mm ² (standard)	7																																																																																																																							
9 x 2.5mm ² (optional)	9																																																																																																																							
Finish	Code																																																																																																																							
Red (Standard)	R																																																																																																																							
Natural Black	N																																																																																																																							
Blue	B																																																																																																																							
Yellow	Y																																																																																																																							
Grey	G																																																																																																																							
Yellow/Black	X																																																																																																																							
Stripes																																																																																																																								
Special	S*																																																																																																																							