

Specification

Certification: CENELEC EN50014, 19 & 28.
 Cert. No. BAS02ATEX2108X.
 Exem II T3/T4, Zones 1 & 2.
 Chinese (CQST) – Exem II T4, LED
 – Exe II T3, Filament
 – Exem II T4, Xenon

Material: UV stable, glass reinforced polyester with polycarbonate wellglass.
 Captive stainless steel cover screws.

Finish: Natural black or painted to customer specification.

Voltage: d.c. – 12V, 24V, 48V.
 a.c. – 110V, 220V, 240V, 254V, 260V.
 Note: Xenon & LED versions only available in 24V and 48V.

Certified Temp: –40°C to +55°C (Filament & Xenon).
 –40°C to +45°C (LED).

Light Module: Up to 5 ways – Filament: 2 x 5W.
 Xenon: 1J (nominal).
 LED: Up to 400Cd.

Light Module Colours: Red, Amber, Yellow, Green, Blue or Clear.

Weight: 1.2kg 1 way.

Ingress Protection: IP66 and IP67.

Terminals: Filament: Max 12 x 4mm².
 Xenon: Max 16 x 2.5mm².
 LED: Max 16 x 2.5mm² or 4mm².

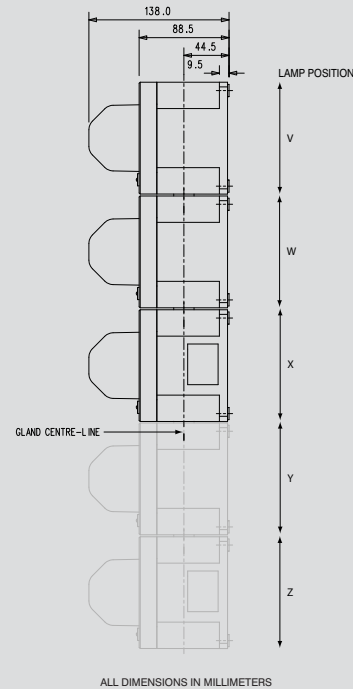
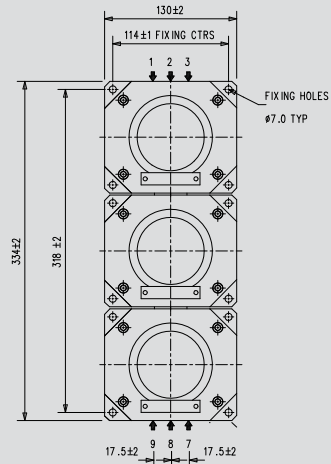
Labels: Optional stainless steel tag/duty label.

Current Consumption:

Model	Voltage	24V	48V
Xenon	Current	120mA	95mA
LED	Current	130-180mA	70-90mA

Entries:

Size	Maximum Number	Entry Position	
		Top	Bottom
M16	2	Any	Any
M20	2	Any	Any
M25/M32	1	2	8



ALL DIMENSIONS IN MILLIMETERS

Ordering Requirements

The following code is designed to help in selection of the correct unit. Build up the reference number by inserting the code for each component into the appropriate box.

Model	Certification	Lamp Type / Positions					Voltage	Cable Entries	Duty/Tag label	Finish		
SL5	<input type="text"/>	V	W	X	Y	Z	<input type="text"/>	<input type="text"/>	<input type="text"/>	<input type="text"/>		
Certification	Code	Indicate light module type					Voltage*	Code	Label	Code	Finish	Code
Uncertified	W	Filament 1 LED Steady 3					12V d.c.	012	Duty label	D*	Natural Black	N
Exe(m)	E	Xenon 2 LED Flashing 4					24V d.c.	024	Tag label	T*	Red	R
Chinese (CQST)	Q	Suffixed by colour required:					48V d.c.	048	None	N	Special	S*
		Lamp colour					110V a.c.	110	* Please specify		* Please specify	
		Red					220V a.c.	220				
		Blue					240V a.c.	240				
		Green					254V a.c.	254				
		Amber					260V a.c.	260				
		Yellow										
		Clear										

* LED not available

* Note: Xenon and LED versions are only available in 24V and 48V d.c.

* Prefix with cable entry position. (See diagram above) E.g. 7A, 9A..

* Please specify

* Please specify

Example: A two way Exe certified unit, with filament lamps coloured red top, blue bottom, rated 240V, with 2 x M20 bottom entries, finished in red would be our ref: **SL5EV1RW1B2407B9BNR**.