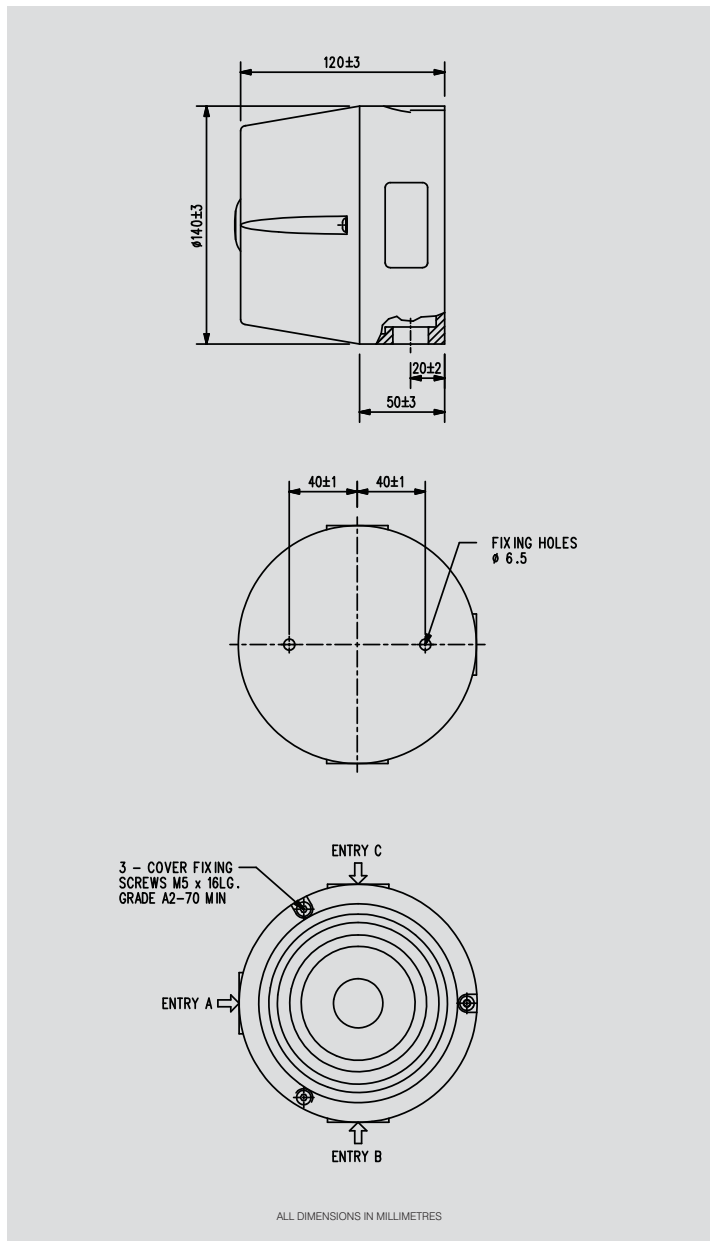
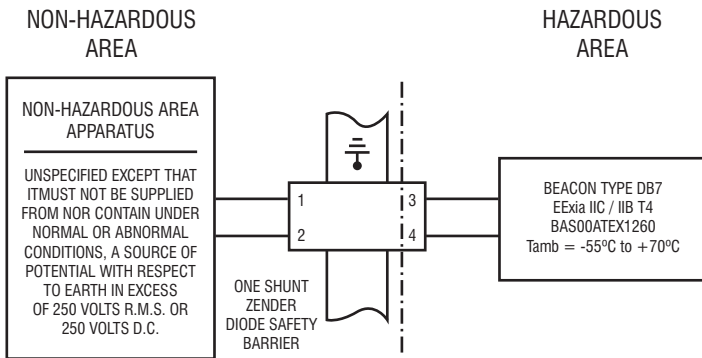


Specification

Certification:	CENELEC EN 50014, 20 & 39. Certificate No. BAS00ATEX 1260 (apparatus). Certificate No. 96D2362 (system). Exia IIC T4 or Exia IIB T4. Zones 0, 1 & 2. GOST 'R' Certification: 0Exia IIC T4, 0Exia IIB T4.
Material:	UV stable glass reinforced polyester. Retained stainless steel cover screws.
Finish:	Painted red as standard or to customer specification.
Voltage:	12V or 24V via suitable barrier.
Current Consumption:	24V models 34mA – 68mA. 12V models 25mA – 55mA.
Sound Output:	107 ± 3dB(A) at 1 metre for 12V and 24V IIB versions. 103 ± 3dB(A) at 1 metre for 12V and 24V IIC versions. Typical value only – variable with tone.
Tone Selection:	Switchable between any two of the 27 tones by reversing the polarity of the supply.
Certified Temp:	-55°C to +70°C.
Weight:	1.0 kg.
Ingress Protection:	IP66 & IP67.
Entries:	Up to 3 x M20 via knockouts.
Terminals:	8 x 2.5mm ² .
Labels:	Duty and tag labels available.



INSTALLATION DRAWING



REFER TO TECHNICAL MANUAL FOR SUITABLE BARRIERS

NOTE: REFER TO UNIT INSTRUCTION SHEET FOR FULL INSTALLATION DRAWING

Ordering Requirements

The following code is designed to help in selection of the correct unit. Build up the reference number by inserting the code for each component into the appropriate box. **Standard products available for immediate shipping - contact sales office for details.**

Model DB7P	Certification []	Voltage []	Labels []	Finish []																																
<table border="1"> <thead> <tr> <th>Certification</th> <th>Code</th> </tr> </thead> <tbody> <tr> <td>Uncertified</td> <td>W</td> </tr> <tr> <td>ATEX/CENELEC IIB</td> <td>BB</td> </tr> <tr> <td>ATEX/CENELEC IIC</td> <td>BC</td> </tr> <tr> <td>GOST 'R' IIB</td> <td>GB</td> </tr> <tr> <td>GOST 'R' IIC</td> <td>GC</td> </tr> </tbody> </table>	Certification	Code	Uncertified	W	ATEX/CENELEC IIB	BB	ATEX/CENELEC IIC	BC	GOST 'R' IIB	GB	GOST 'R' IIC	GC	<table border="1"> <thead> <tr> <th>Voltage</th> <th>Code</th> </tr> </thead> <tbody> <tr> <td>12V</td> <td>012</td> </tr> <tr> <td>24V</td> <td>024</td> </tr> </tbody> </table>	Voltage	Code	12V	012	24V	024	<table border="1"> <thead> <tr> <th>Label</th> <th>Code</th> </tr> </thead> <tbody> <tr> <td>Duty</td> <td>D*</td> </tr> <tr> <td>Tag</td> <td>T*</td> </tr> <tr> <td>None</td> <td>N</td> </tr> </tbody> </table> <p>* Please specify wording.</p>	Label	Code	Duty	D*	Tag	T*	None	N	<table border="1"> <thead> <tr> <th>Colour</th> <th>Code</th> </tr> </thead> <tbody> <tr> <td>Painted Red</td> <td>R</td> </tr> <tr> <td>Special</td> <td>S*</td> </tr> </tbody> </table> <p>*Please specify.</p>	Colour	Code	Painted Red	R	Special	S*	
Certification	Code																																			
Uncertified	W																																			
ATEX/CENELEC IIB	BB																																			
ATEX/CENELEC IIC	BC																																			
GOST 'R' IIB	GB																																			
GOST 'R' IIC	GC																																			
Voltage	Code																																			
12V	012																																			
24V	024																																			
Label	Code																																			
Duty	D*																																			
Tag	T*																																			
None	N																																			
Colour	Code																																			
Painted Red	R																																			
Special	S*																																			