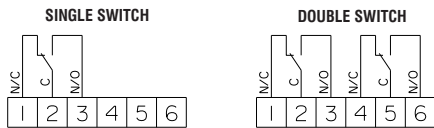


Specification

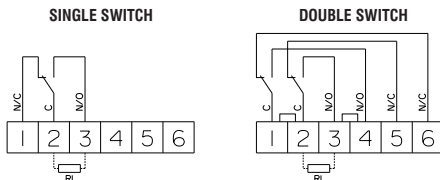
Certification:	Certified to IEC60079-0, IEC60079-1 and IEC60079-31 Certified to EN60079-0, EN60079-1 and EN60079-31 IECEX Cert. No. IECEX ITS 11.0021X Atex Cert. No. ITS11ATEX17308X Ex II 2 GD Ex d IIC T6 Gb, Ex tb IIIC T85°C Db
Material:	Body/covers/handles:- GRP (glass reinforced polyester) Fixings:- Stainless steel grade 316
Finish:	Cover:- natural red, Body:- natural black. Handles:- natural white. Cover may be painted to customer's requirements.
Voltage:	0-50Vdc, 0-254Vac.
Switch Rating:	1 or 2 c/o switches, 254V, 3A max.
Weight:	Gross weight 3.2Kg. Net weight 2.6Kg
Certified Temp:	-55°C to +70°C.
Ingress Protection:	IP66 & 67.
Entries:	Up to 2 x M20 or M25, up to 2 x 1/2" or 3/4" NPT.
Terminals:	6 x 2.5mm ² as standard. Contact Cooper MEDC for options.
Earth Continuity:	Earth continuity is provided by internal plate.
Labels:	'Burning house' label fitted as standard on red units. Blank label fitted as standard on all other colour units. Tag & Duty label options, worded to customers requirements.
Addr. module:	Consult Cooper MEDC for options.
Resistors:	Various configurations available, 470 Ohms minimum.
Diodes:	Various configurations available.

Standard wiring - switch only



Standard wiring - c/w EOL resistor

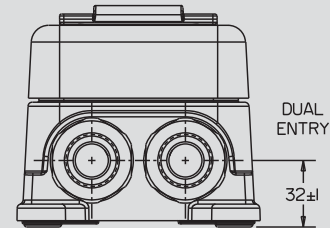
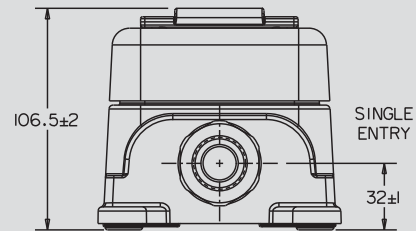
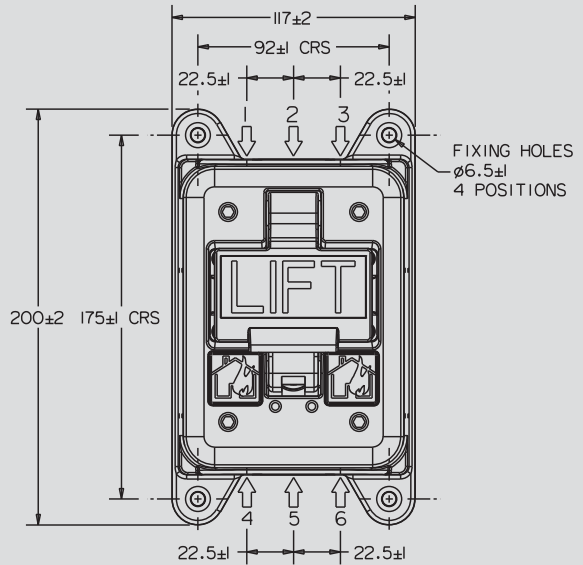
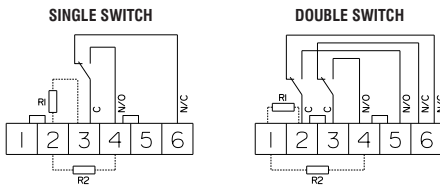
R1 - EOL Resistor



Standard wiring - c/w series resistor or series & EOL resistor

R1 - Series Resistor

R2 - EOL Resistor (if fitted)



ALL DIMENSIONS IN MILLIMETRES

Ordering Requirements

The following code is designed to help in selection of the correct unit. Build up the reference number by inserting the code for each component into the appropriate box.

Model PH1	Certification []	Entries []	Switches []	Features []	Finish []																																										
	<table border="1"> <tr><th>Certification</th><th>Code</th></tr> <tr><td>ATEX</td><td>B</td></tr> <tr><td>IECEX</td><td>J</td></tr> </table>	Certification	Code	ATEX	B	IECEX	J	<table border="1"> <tr><th>Entries</th><th>Code</th></tr> <tr><td>M20</td><td>*B</td></tr> <tr><td>M25</td><td>*C</td></tr> <tr><td>1/2" NPT</td><td>*M</td></tr> <tr><td>3/4" NPT</td><td>*N</td></tr> </table> <p>* Prefix entry size with entry position (see diagram above). E.g. 4B6B. Maximum 2 Entries</p>	Entries	Code	M20	*B	M25	*C	1/2" NPT	*M	3/4" NPT	*N	<table border="1"> <tr><th>Switches</th><th>Code</th></tr> <tr><td>Single changeover</td><td>S</td></tr> <tr><td>Double changeover</td><td>D</td></tr> </table>	Switches	Code	Single changeover	S	Double changeover	D	<table border="1"> <tr><th>Features</th><th>Code</th></tr> <tr><td>None</td><td>N</td></tr> <tr><td>Series resistor</td><td>G*</td></tr> <tr><td>EOL resistor</td><td>H*</td></tr> <tr><td>Diode</td><td>E*</td></tr> <tr><td>Tag label</td><td>T*</td></tr> <tr><td>Duty label</td><td>D*</td></tr> </table> <p>* Please specify</p>	Features	Code	None	N	Series resistor	G*	EOL resistor	H*	Diode	E*	Tag label	T*	Duty label	D*	<table border="1"> <tr><th>Finish</th><th>Code</th></tr> <tr><td>Natural Red</td><td>R</td></tr> <tr><td>Special</td><td>S*</td></tr> </table> <p>* Please specify</p>	Finish	Code	Natural Red	R	Special	S*
Certification	Code																																														
ATEX	B																																														
IECEX	J																																														
Entries	Code																																														
M20	*B																																														
M25	*C																																														
1/2" NPT	*M																																														
3/4" NPT	*N																																														
Switches	Code																																														
Single changeover	S																																														
Double changeover	D																																														
Features	Code																																														
None	N																																														
Series resistor	G*																																														
EOL resistor	H*																																														
Diode	E*																																														
Tag label	T*																																														
Duty label	D*																																														
Finish	Code																																														
Natural Red	R																																														
Special	S*																																														

NOTE: the units can be internally wired to suit customers specifications. Please discuss your requirements with us.

All the above specifications, dimensions, weights and tolerances are nominal (typical) and Cooper MEDC reserve the right to vary all data without prior notice. No liability is accepted for any consequence of use.

