

Specification

Certification: Certified to IEC60079-0, IEC60079-1
 Certified to EN60079-0, EN60079-1
 ATEX Cert. No. Baseefa03ATEX0257, Ex II 2 G Ex d IIB T5 Gb
 IECEX Cert. No. IECEX BAS 09.0040 Exd IIB T5 Gb.
 Brazilian (Inmetro) Certified: BR-Ex d IIB T5

Material: Cast Iron

Finish: Grey epoxy paint as standard or to customer specification.

Voltage: 24V d.c. or 200/254V a.c. 50/60 Hz.

Contact Spring: Phosphor Bronze.

Contacts: Silver.

Coil: Bakelite former.

Magnet: Laminated iron.

Armature: Pivoted to operate shaft and hammer at back of gong through flameproof bearing.

Certified Temp: -20°C to +55°C

Weight: 11 kg.

Ingress Protection: NEMA 4x & 6, IP66 & IP67.

Earthing: M6 Internal and external earthing points provided.

Entries: 2 x M20 ISO with one Exd blank fitted.

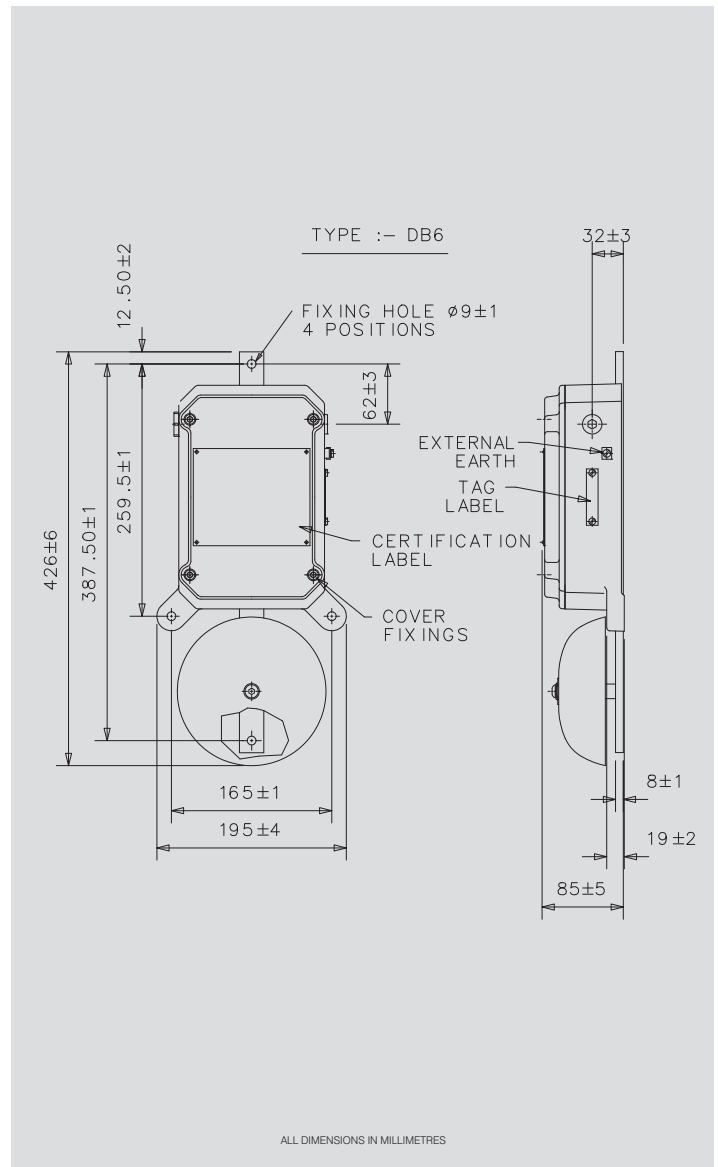
Labels: Tag label optional.

Termination: Terminals suitable for 4 x 4mm² cables.

Ratings:

Voltage	VA	Amps	dB(A) rating
24V d.c.	1.92	0.08	98 ± 3
200/254 a.c.	6/12.7	0.03/0.05	106 ± 3

24V d.c. unit polarised and suppressed for use on monitored fire alarm system sounder circuits.



Ordering Requirements

The following code is designed to help in selection of the correct unit. Build up the reference number by inserting the code for each component into the appropriate box. **Standard products available ex-stock. Please visit www.coopermedc.com for further details.**

Model	Voltage	Certification	Tag Label	Finish																														
DB6																																		
	<table border="1"> <thead> <tr> <th>Voltage</th> <th>Code</th> </tr> </thead> <tbody> <tr> <td>24V d.c.</td> <td>B</td> </tr> <tr> <td>240V a.c.</td> <td>H</td> </tr> </tbody> </table>	Voltage	Code	24V d.c.	B	240V a.c.	H	<table border="1"> <thead> <tr> <th>Certification</th> <th>Code</th> </tr> </thead> <tbody> <tr> <td>ATEX</td> <td>B</td> </tr> <tr> <td>IECEX</td> <td>J</td> </tr> <tr> <td>Inmetro</td> <td>DM</td> </tr> <tr> <td>Weatherproof</td> <td>W</td> </tr> </tbody> </table>	Certification	Code	ATEX	B	IECEX	J	Inmetro	DM	Weatherproof	W	<table border="1"> <thead> <tr> <th>Tag Label</th> <th>Code</th> </tr> </thead> <tbody> <tr> <td>Label</td> <td>Y</td> </tr> <tr> <td>None</td> <td>N*</td> </tr> </tbody> </table> <p>* Please specify wording.</p>	Tag Label	Code	Label	Y	None	N*	<table border="1"> <thead> <tr> <th>Colour</th> <th>Code</th> </tr> </thead> <tbody> <tr> <td>Grey</td> <td>G</td> </tr> <tr> <td>Red</td> <td>R</td> </tr> <tr> <td>Special</td> <td>S*</td> </tr> </tbody> </table> <p>* Please specify.</p>	Colour	Code	Grey	G	Red	R	Special	S*
Voltage	Code																																	
24V d.c.	B																																	
240V a.c.	H																																	
Certification	Code																																	
ATEX	B																																	
IECEX	J																																	
Inmetro	DM																																	
Weatherproof	W																																	
Tag Label	Code																																	
Label	Y																																	
None	N*																																	
Colour	Code																																	
Grey	G																																	
Red	R																																	
Special	S*																																	