

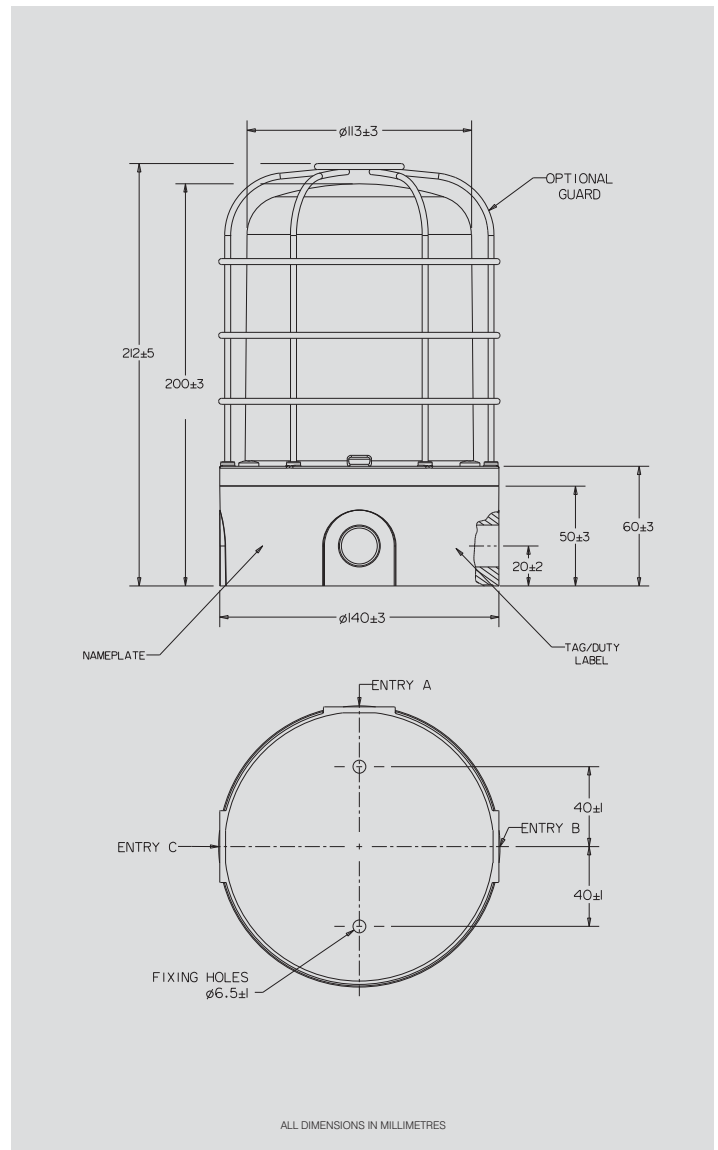


# Specification

<b>Material:</b>	UV stable glass reinforced polyester body. UV stable polycarbonate cover/lens. Retained stainless steel cover screws.	
<b>Finish:</b>	Painted red as standard or to Customer specification.	
<b>Tube Energy:</b>	10 Joules (second flash 7.5 Joules).	
<b>Weight:</b>	1.1kg.	
<b>Operating Temp:</b>	-40°C to +70°C.	
<b>Ingress Protection:</b>	IP66 & IP67.	
<b>Tube Life:</b>	> 1 x 10 <sup>6</sup> flashes.	
<b>Voltage:</b>	12V d.c., 24V d.c., 115V a.c., 230V a.c.	
<b>Current Consumption:</b>	<b>Voltage</b>	<b>Current Consumption</b>
	12V d.c.	1.4A
	24V d.c.	650mA
	115V a.c.	180mA
	230V a.c.	100mA
<b>Tube Type:</b>	Xenon discharge.	
<b>Lens Colour:</b>	Various colours available.	
<b>Terminals:</b>	8 x 2.5mm <sup>2</sup> .	
<b>Flash Rate:</b>	1 flash per second.	
<b>Dual Flash Rate:</b>	Time between dual flashes = 0.5 seconds. Charging time = 1 second. Cycle repeats every 1.5 seconds.	
<b>Labels:</b>	Duty and tag labels available.	
<b>Cable Entries:</b>	Up to 3 x M20 via knockouts.	
<b>Intensity:</b>	Effective intensity 220 Cd. Peak intensity 75,000 Cd. (Figures are for clear lens at 1Hz flash rate).	

## Multiplying Factor for Colored Lenses:

Red	Blue	Amber	Green	Yellow
0.15	0.12	0.51	0.49	0.86



## Ordering Requirements

The following code is designed to help in selection of the correct unit. Build up the reference number by inserting the code for each component into the appropriate box. **Standard products available ex-stock. Please visit [www.coopermedc.com](http://www.coopermedc.com) for further details.**

<b>Model</b> XB13	<b>Voltage</b> [ ]	<b>Lens Colour</b> [ ]	<b>Guard</b> [ ]	<b>Unit Options</b> [ ]	<b>Finish</b> [ ]																																																
	<table border="1"> <thead> <tr> <th>Voltage</th> <th>Code</th> </tr> </thead> <tbody> <tr> <td>12V d.c.</td> <td>012</td> </tr> <tr> <td>24V d.c.</td> <td>024</td> </tr> <tr> <td>115V a.c.</td> <td>115</td> </tr> <tr> <td>230V a.c.</td> <td>230</td> </tr> </tbody> </table>	Voltage	Code	12V d.c.	012	24V d.c.	024	115V a.c.	115	230V a.c.	230	<table border="1"> <thead> <tr> <th>Lens Colour</th> <th>Code</th> </tr> </thead> <tbody> <tr> <td>Red</td> <td>R</td> </tr> <tr> <td>Blue</td> <td>B</td> </tr> <tr> <td>Green</td> <td>G</td> </tr> <tr> <td>Amber</td> <td>A</td> </tr> <tr> <td>Yellow</td> <td>Y</td> </tr> <tr> <td>Clear</td> <td>C</td> </tr> </tbody> </table>	Lens Colour	Code	Red	R	Blue	B	Green	G	Amber	A	Yellow	Y	Clear	C	<table border="1"> <thead> <tr> <th>Guard</th> <th>Code</th> </tr> </thead> <tbody> <tr> <td>Yes</td> <td>Y</td> </tr> <tr> <td>None</td> <td>N</td> </tr> </tbody> </table>	Guard	Code	Yes	Y	None	N	<table border="1"> <thead> <tr> <th>Options</th> <th>Code</th> </tr> </thead> <tbody> <tr> <td>Duty</td> <td>D*</td> </tr> <tr> <td>Tag</td> <td>T*</td> </tr> <tr> <td>Telephone Initiate</td> <td>I</td> </tr> <tr> <td>Relay Initiate</td> <td>R</td> </tr> <tr> <td>None</td> <td>N</td> </tr> </tbody> </table> <p>*Please specify wording.</p>	Options	Code	Duty	D*	Tag	T*	Telephone Initiate	I	Relay Initiate	R	None	N	<table border="1"> <thead> <tr> <th>Finish</th> <th>Code</th> </tr> </thead> <tbody> <tr> <td>Painted Red</td> <td>R</td> </tr> <tr> <td>Special</td> <td>S*</td> </tr> </tbody> </table> <p>*Please specify.</p>	Finish	Code	Painted Red	R	Special	S*
Voltage	Code																																																				
12V d.c.	012																																																				
24V d.c.	024																																																				
115V a.c.	115																																																				
230V a.c.	230																																																				
Lens Colour	Code																																																				
Red	R																																																				
Blue	B																																																				
Green	G																																																				
Amber	A																																																				
Yellow	Y																																																				
Clear	C																																																				
Guard	Code																																																				
Yes	Y																																																				
None	N																																																				
Options	Code																																																				
Duty	D*																																																				
Tag	T*																																																				
Telephone Initiate	I																																																				
Relay Initiate	R																																																				
None	N																																																				
Finish	Code																																																				
Painted Red	R																																																				
Special	S*																																																				