

Specification

Certification: Certified to IEC60079-0, IEC60079-1, IEC60079-7
 Certified to EN60079-0, EN60079-1, EN60079-7
 Note IEC/EN60079-7 applies to Ex de versions only.
 ATEX Ex de Cert. No. BAS00ATEX2226X
 ATEX Ex d Cert. No. BAS00ATEX2204X
 Ex II 2 G Ex d IIB T4 Gb
 IECEx Ex de Cert. No. IECEx BAS 10.0087X
 IECEx Ex d Cert. No. IECEx BAS 10.0086X
 Ex de IIB T4 Gb, Ex d IIB T4 Gb
 Zone 1 and Zone 2.
 GOST 'R' Certification – 1Exd IIB T4 /2Exde IIB T4.
 Russian Fire Approval.
 Brazilian (Inmetro) Certified: BR-Ex d IIB T4
 BR-Ex de IIB T4

Material: Body: Glass reinforced polyester.
 Lens: Glass
 Cover Screws + Bracket: Stainless steel 316.

Finish: Natural black or painted to customer specification.

Weight: Exd 2.8kg, Exde 3.6kg.

Certified Temp: 15J unit: Exd -55°C to +50°C.
 Exde -50°C to +50°C.
 10J unit: Exd -55°C to +65°C.
 Exde -50°C to +65°C.

Ingress Protection: IP66 & IP67.

Fire Retardancy: GRP is fire retardant to ISO 1210.

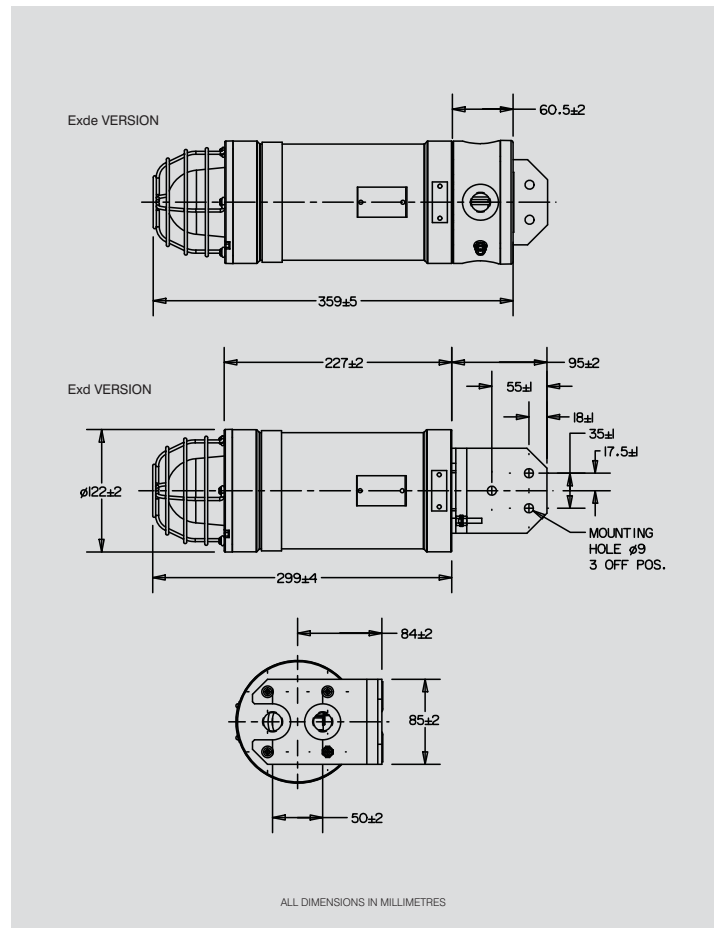
Terminals: 4 x 2.5mm² (d.c.), 6 x 2.5mm² (a.c.).

Mounting: Wall mounted via bracket.

Electrical Ratings:

Voltage	d.c.				a.c.			
	24		48		110		220/240/254	
Tube Energy (J)	10	15	10	15	10	15	10	15
Peak Current	700	1200	300	560	190	300	100	145
Consumption (mA)								
Effective Intensity(Cd)	285	330	285	330	285	330	285	330
Peak Intensity (Cd)	74179	111269	74179	111269	74179	111269	74179	111269
Power Consumption (W)	16.8	28.8	14.4	26.8	20.9	33	24	34.8
Flash Rate	1Hz (other flash rates available on request, please specify)							

Note: The above figures (Cd) are for a clear lens @ 1Hz flash rate.



Entries: Up to 2 x M20 (Exd). Up to 3 x M20 (Exde).

Optional: 1 x 3m cable tail (both Exd & Exde).

Multiplying Factor for Colored Lenses:

Red	Blue	Amber	Green	Yellow
0.15	0.12	0.51	0.49	0.86

The photometric data has been verified by BSI. A report is available if required.

Ordering Requirements

The following code is designed to help in selection of the correct unit. Build up the reference number by inserting the code for each component into the appropriate box. **Standard products available ex-stock. Please visit www.coopermedc.com for further details.**

Model	Certification	Voltage	Power	Lens Colour	Tag/Duty	Options	Entries	Finish																																																																																													
XB10																																																																																																					
<table border="1"> <thead> <tr> <th>Certification</th> <th>Code</th> </tr> </thead> <tbody> <tr><td>Uncertified</td><td>W</td></tr> <tr><td>Exd</td><td>D</td></tr> <tr><td>Exde</td><td>E</td></tr> <tr><td>IECEx Exd</td><td>DJ</td></tr> <tr><td>IECEx Exde</td><td>EJ</td></tr> <tr><td>GOST 'R' Exd</td><td>DG*</td></tr> <tr><td>GOST 'R' Exe</td><td>EG*</td></tr> <tr><td>Inmetro Exd</td><td>DM</td></tr> <tr><td>Inmetro Exde</td><td>EM</td></tr> </tbody> </table>		Certification	Code	Uncertified	W	Exd	D	Exde	E	IECEx Exd	DJ	IECEx Exde	EJ	GOST 'R' Exd	DG*	GOST 'R' Exe	EG*	Inmetro Exd	DM	Inmetro Exde	EM	<table border="1"> <thead> <tr> <th>Voltage</th> <th>Code</th> </tr> </thead> <tbody> <tr><td>24V d.c.</td><td>024</td></tr> <tr><td>48V d.c.</td><td>048</td></tr> <tr><td>110V a.c.</td><td>110</td></tr> <tr><td>220V a.c.</td><td>220</td></tr> <tr><td>240V a.c.</td><td>240</td></tr> <tr><td>254V a.c.</td><td>254</td></tr> </tbody> </table>		Voltage	Code	24V d.c.	024	48V d.c.	048	110V a.c.	110	220V a.c.	220	240V a.c.	240	254V a.c.	254	<table border="1"> <thead> <tr> <th>Lens Colour</th> <th>Code</th> </tr> </thead> <tbody> <tr><td>Red</td><td>R</td></tr> <tr><td>Blue</td><td>B</td></tr> <tr><td>Green</td><td>G</td></tr> <tr><td>Amber</td><td>A</td></tr> <tr><td>Yellow</td><td>Y</td></tr> <tr><td>Clear</td><td>C</td></tr> </tbody> </table>		Lens Colour	Code	Red	R	Blue	B	Green	G	Amber	A	Yellow	Y	Clear	C	<table border="1"> <thead> <tr> <th>Options</th> <th>Code</th> </tr> </thead> <tbody> <tr><td>Telephone Initiate</td><td>T</td></tr> <tr><td>Earth Continuity</td><td>E</td></tr> <tr><td>3m cable tail</td><td>G</td></tr> <tr><td>None</td><td>N</td></tr> </tbody> </table>		Options	Code	Telephone Initiate	T	Earth Continuity	E	3m cable tail	G	None	N	<table border="1"> <thead> <tr> <th>Entries</th> <th>Code</th> </tr> </thead> <tbody> <tr><td>Exd</td><td></td></tr> <tr><td>1 x M20</td><td>1B</td></tr> <tr><td>1 x PG13.5</td><td>1P</td></tr> <tr><td>2 x M20</td><td>2B</td></tr> <tr><td>2 x PG13.5</td><td>2P</td></tr> <tr><td>Exd(e)</td><td></td></tr> <tr><td>3 x M20</td><td>3B</td></tr> </tbody> </table>		Entries	Code	Exd		1 x M20	1B	1 x PG13.5	1P	2 x M20	2B	2 x PG13.5	2P	Exd(e)		3 x M20	3B	<table border="1"> <thead> <tr> <th>Finish</th> <th>Code</th> </tr> </thead> <tbody> <tr><td>Natural Black</td><td>N</td></tr> <tr><td>Red</td><td>R</td></tr> <tr><td>Blue</td><td>B</td></tr> <tr><td>Yellow</td><td>Y</td></tr> <tr><td>Grey</td><td>G</td></tr> <tr><td>White</td><td>W</td></tr> <tr><td>Special</td><td>S*</td></tr> </tbody> </table>		Finish	Code	Natural Black	N	Red	R	Blue	B	Yellow	Y	Grey	G	White	W	Special	S*
Certification	Code																																																																																																				
Uncertified	W																																																																																																				
Exd	D																																																																																																				
Exde	E																																																																																																				
IECEx Exd	DJ																																																																																																				
IECEx Exde	EJ																																																																																																				
GOST 'R' Exd	DG*																																																																																																				
GOST 'R' Exe	EG*																																																																																																				
Inmetro Exd	DM																																																																																																				
Inmetro Exde	EM																																																																																																				
Voltage	Code																																																																																																				
24V d.c.	024																																																																																																				
48V d.c.	048																																																																																																				
110V a.c.	110																																																																																																				
220V a.c.	220																																																																																																				
240V a.c.	240																																																																																																				
254V a.c.	254																																																																																																				
Lens Colour	Code																																																																																																				
Red	R																																																																																																				
Blue	B																																																																																																				
Green	G																																																																																																				
Amber	A																																																																																																				
Yellow	Y																																																																																																				
Clear	C																																																																																																				
Options	Code																																																																																																				
Telephone Initiate	T																																																																																																				
Earth Continuity	E																																																																																																				
3m cable tail	G																																																																																																				
None	N																																																																																																				
Entries	Code																																																																																																				
Exd																																																																																																					
1 x M20	1B																																																																																																				
1 x PG13.5	1P																																																																																																				
2 x M20	2B																																																																																																				
2 x PG13.5	2P																																																																																																				
Exd(e)																																																																																																					
3 x M20	3B																																																																																																				
Finish	Code																																																																																																				
Natural Black	N																																																																																																				
Red	R																																																																																																				
Blue	B																																																																																																				
Yellow	Y																																																																																																				
Grey	G																																																																																																				
White	W																																																																																																				
Special	S*																																																																																																				
* Russian Fire Approval as standard.		<table border="1"> <thead> <tr> <th>Power</th> <th>Code</th> </tr> </thead> <tbody> <tr><td>10J</td><td>T</td></tr> <tr><td>15J</td><td>F</td></tr> </tbody> </table>		Power	Code	10J	T	15J	F	<table border="1"> <thead> <tr> <th>Label</th> <th>Code</th> </tr> </thead> <tbody> <tr><td>None</td><td>N</td></tr> <tr><td>Yes</td><td>Y*</td></tr> </tbody> </table>		Label	Code	None	N	Yes	Y*	*Please specify wording.		*Please specify.																																																																																	
Power	Code																																																																																																				
10J	T																																																																																																				
15J	F																																																																																																				
Label	Code																																																																																																				
None	N																																																																																																				
Yes	Y*																																																																																																				

All the above specifications, dimensions, weights and tolerances are nominal (typical) and Cooper MEDC reserve the right to vary all data without prior notice. No liability is accepted for any consequence of use.

