

Specification

Certification: UL Listed for USA and Canada:
 – Hazardous locations for USA and Canada: UL1604.
 Class I, Div 2, Groups A, B, C & D.
 Class II, Div. 2, Groups F & G.
 UL listing No. E251185.
 – Ordinary locations: Visual Signal Device: UL1638.
 UL listing No. E251185.
 – Hazardous locations for hearing impaired: UL1971.
 UL listing No. E251185.

Material: Body: Glass reinforced polyester.
 Lens: U.V. stable polycarbonate.
 Lens screws: stainless steel 316.

Finish: Natural black or painted to customer specification.

Voltage: 24V d.c., 48V d.c.
 110, 120, 230, 240, 254V a.c.
 Conforms to UL regulated voltage output (24Vdc, 120Vac, 240Vac).

Certified Temp: –55°C to +70°C

Tube Energy: 10 Joules.

Tube life: >1 x 10⁶ flashes.

Weight: 1.0kg.

Ingress Protection: IP66 & IP67.

Entries: Standard 1 x 3/4" NPT pipe mount. (Contact MEDC if 1/2" NPT is required)

Terminals: 8 x 2.5mm².

Labels: Tag/Duty label option.

Electrical Ratings:

Voltage	d.c.		a.c.				
	24	48	110	120	230	240	254
Current (A)	0.89	0.30	0.38	0.38	0.22	0.22	0.18

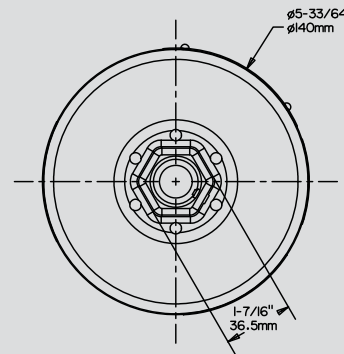
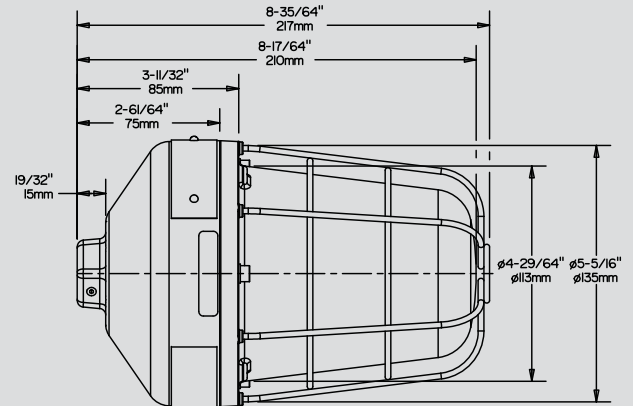
Effective candlepower (Cd): 285 at 60 f.p.m.

Peak candlepower: 580,000 (Peak candlepower is the maximum light intensity generated by a flashing light during its light pulse)

UL 1971 On-axis output: 15 Cd.

Multiplying Factor for Colored Lenses:

Red	Blue	Amber	Green	Yellow
0.15	0.12	0.51	0.49	0.86



ALL DIMENSIONS IN INCHES & MILLIMETERS

Ordering Requirements

The following code is designed to help in selection of the correct unit. Build up the reference number by inserting the code for each component into the appropriate box.

Model	Certification	Voltage	Flashrate	Lens Colour	Lens Guard	Options	Finish																																																															
XB16	<input type="text"/>	<input type="text"/>	<input type="text"/>	<input type="text"/>	<input type="text"/>	<input type="text"/>	<input type="text"/>																																																															
	<table border="1"> <thead> <tr> <th>Certification</th> <th>Code</th> </tr> </thead> <tbody> <tr> <td>UL</td> <td>UL</td> </tr> <tr> <td>UL (ordinary location)</td> <td>UW</td> </tr> <tr> <td>UL 1971</td> <td>US</td> </tr> </tbody> </table>	Certification	Code	UL	UL	UL (ordinary location)	UW	UL 1971	US	<table border="1"> <thead> <tr> <th>Voltage</th> <th>Code</th> </tr> </thead> <tbody> <tr> <td>24V d.c.</td> <td>024</td> </tr> <tr> <td>48V d.c.</td> <td>048</td> </tr> <tr> <td>110V a.c.</td> <td>110</td> </tr> <tr> <td>120V a.c.</td> <td>120</td> </tr> <tr> <td>230V a.c.</td> <td>230</td> </tr> <tr> <td>240V a.c.</td> <td>240</td> </tr> <tr> <td>254V a.c.</td> <td>254</td> </tr> </tbody> </table>	Voltage	Code	24V d.c.	024	48V d.c.	048	110V a.c.	110	120V a.c.	120	230V a.c.	230	240V a.c.	240	254V a.c.	254	<table border="1"> <thead> <tr> <th>Flashrate</th> <th>Code</th> </tr> </thead> <tbody> <tr> <td>60 / min</td> <td>60</td> </tr> <tr> <td>80 / min</td> <td>80</td> </tr> <tr> <td>120 / min</td> <td>120</td> </tr> </tbody> </table>	Flashrate	Code	60 / min	60	80 / min	80	120 / min	120	<table border="1"> <thead> <tr> <th>Guard</th> <th>Code</th> </tr> </thead> <tbody> <tr> <td>Yes</td> <td>Y</td> </tr> <tr> <td>None</td> <td>N</td> </tr> </tbody> </table>	Guard	Code	Yes	Y	None	N	<table border="1"> <thead> <tr> <th>Option</th> <th>Code</th> </tr> </thead> <tbody> <tr> <td>Tag label</td> <td>T*</td> </tr> <tr> <td>Duty label</td> <td>D*</td> </tr> <tr> <td>Relay initiate</td> <td>R†</td> </tr> <tr> <td>None</td> <td>N</td> </tr> </tbody> </table>	Option	Code	Tag label	T*	Duty label	D*	Relay initiate	R†	None	N	<table border="1"> <thead> <tr> <th>Finish</th> <th>Code</th> </tr> </thead> <tbody> <tr> <td>Natural Black</td> <td>N</td> </tr> <tr> <td>Red</td> <td>R</td> </tr> <tr> <td>Blue</td> <td>B</td> </tr> <tr> <td>Yellow</td> <td>Y</td> </tr> <tr> <td>Green</td> <td>G</td> </tr> <tr> <td>White</td> <td>W</td> </tr> <tr> <td>Special</td> <td>S*</td> </tr> </tbody> </table>	Finish	Code	Natural Black	N	Red	R	Blue	B	Yellow	Y	Green	G	White	W	Special	S*
Certification	Code																																																																					
UL	UL																																																																					
UL (ordinary location)	UW																																																																					
UL 1971	US																																																																					
Voltage	Code																																																																					
24V d.c.	024																																																																					
48V d.c.	048																																																																					
110V a.c.	110																																																																					
120V a.c.	120																																																																					
230V a.c.	230																																																																					
240V a.c.	240																																																																					
254V a.c.	254																																																																					
Flashrate	Code																																																																					
60 / min	60																																																																					
80 / min	80																																																																					
120 / min	120																																																																					
Guard	Code																																																																					
Yes	Y																																																																					
None	N																																																																					
Option	Code																																																																					
Tag label	T*																																																																					
Duty label	D*																																																																					
Relay initiate	R†																																																																					
None	N																																																																					
Finish	Code																																																																					
Natural Black	N																																																																					
Red	R																																																																					
Blue	B																																																																					
Yellow	Y																																																																					
Green	G																																																																					
White	W																																																																					
Special	S*																																																																					
				<table border="1"> <thead> <tr> <th>Colour</th> <th>Code</th> </tr> </thead> <tbody> <tr> <td>Red</td> <td>R</td> </tr> <tr> <td>Blue</td> <td>B</td> </tr> <tr> <td>Green</td> <td>G</td> </tr> <tr> <td>Amber</td> <td>A</td> </tr> <tr> <td>Yellow</td> <td>Y</td> </tr> <tr> <td>Clear</td> <td>C*</td> </tr> </tbody> </table>	Colour	Code	Red	R	Blue	B	Green	G	Amber	A	Yellow	Y	Clear	C*																																																				
Colour	Code																																																																					
Red	R																																																																					
Blue	B																																																																					
Green	G																																																																					
Amber	A																																																																					
Yellow	Y																																																																					
Clear	C*																																																																					

* Please specify
 † Suitable for 24V d.c. supplies only.

* Please specify

* UL 1971 version available with clear lens only.

