

Specification

Certification: Certified to IEC60079-0, IEC60079-1, IEC60079-31
 Certified to EN60079-0, EN60079-1, EN60079-31
 ATEX Cert. No. BAS99ATEX2195
 Ex II 2 G Ex d IIB T4/T5/T6 Gb, Ex tb IIIC T75°C/T90°C/T105°C Db
 IECEx Cert. No. IECEx BAS 10.0101
 Ex d IIB T4/T5/T6 Gb, Ex tb IIIC 75°C/90°C/105°C Gb
 UL Listed for USA and Canada to:
 Hazardous locations:
 Class I, Div 2 Groups C & D.
 Class I, Zones 1 & 2 AExd IIB T4/T5.
 UL Listing No: E187894.
 Ordinary locations: Visual-Signal Device.
 UL listing No. S8128.
 Refer to UL Datasheet at rear of catalogue for complete information.
 GOST 'R' Certification: 1Exd IIB T4/T5/T6.
 GOST 'K' Certification: Exd IIB T4/T5/T6.
 Chinese (CSQT) Certification: Exd IIB T5/T6.
 Brazilian (Inmetro) Certification: BR-Ex d IIB T4/T5/T6.

Material: Body: Glass reinforced polyester.
 Lens: Glass
 Cover Screws + Backstrap: Stainless steel 316.

Finish: Natural black or painted to customer specification.

Weight: 2.5Kg.

Certified Temp: Exd -55°C to +70°C (T4).
 -55°C to +55°C (T5).
 -55°C to +40°C (T6).
 UL -55°C to +70°C (hazardous locations).
 -55°C to +55°C (ordinary locations).

Ingress Protection: IP66 & IP67.

Fire Retardancy: GRP is fire retardant to ISO 1210.

Earth Continuity: Optional for metal glands provided via a brass plate.
 (Not available for UL version).

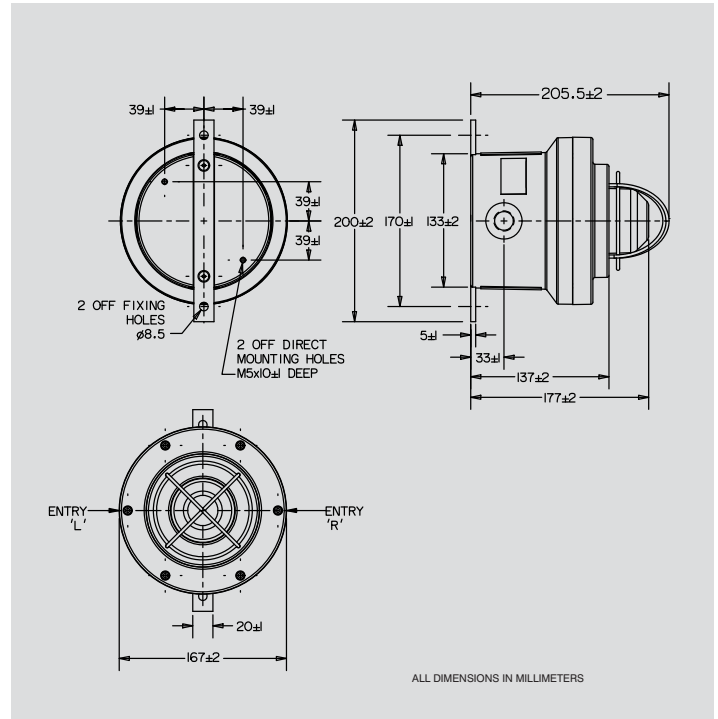
Terminals: 6 x 2.5mm².

Telephone initiation: Initiation by telephone ringing tone.

Labels: Duty/Tag Label optional.

Entries: 2 x M20 ISO Exd. 2 x 1/2" NPT UL.
 Note: ATEX/UL Dual Listed unit has up to 2 x 1/2" NPT entries only.

Beacon/Sounder Unit: The beacon may be combined with an Cooper MEDC sounder to create a visual/audible alarm. Contact Cooper MEDC for price and specification.



ALL DIMENSIONS IN MILLIMETERS

Electrical Ratings:

	d.c.	a.c. 50/60Hz	
Voltage	24	110	240
XB11 Tube Energy (Joules)	5	5	5
Peak Current Consumption (mA)	320	100	60
Effective Intensity (Cd)	29	29	29
Peak Intensity (Cd)	22213	22213	22213
Power Consumption (Watts)	8	11	18

NOTE: The Cd figures are for a clear lens @ 1Hz flash rate.

Multiplying Factor for Colored Lenses:

Red	Blue	Amber	Green	Yellow
0.15	0.12	0.51	0.49	0.86

The photometric data has been verified by BSI. A report is available if required.

Ordering Requirements

The following code is designed to help in selection of the correct unit. Build up the reference number by inserting the code for each component into the appropriate box. **For standard products, available ex-stock, contact sales office for details.**

Model	Certification	Voltage	Flashrate	Lens Colour	Guard	Fixings	Earth Continuity	Tag/Duty	Options	Finish																																																																																													
XB11																																																																																																							
	<table border="1"> <thead> <tr><th>Certification</th><th>Code</th></tr> </thead> <tbody> <tr><td>Uncertified</td><td>W</td></tr> <tr><td>BASEEFA</td><td>B</td></tr> <tr><td>IECEX</td><td>J</td></tr> <tr><td>UL</td><td>UL</td></tr> <tr><td>UL (Ordinary location)</td><td>UW</td></tr> <tr><td>ATEX/UL Dual Listed</td><td>AU</td></tr> <tr><td>GOST 'R'</td><td>G</td></tr> <tr><td>GOST 'K'</td><td>K</td></tr> <tr><td>Chinese (CQST)</td><td>Q</td></tr> <tr><td>Inmetro</td><td>DM</td></tr> </tbody> </table>	Certification	Code	Uncertified	W	BASEEFA	B	IECEX	J	UL	UL	UL (Ordinary location)	UW	ATEX/UL Dual Listed	AU	GOST 'R'	G	GOST 'K'	K	Chinese (CQST)	Q	Inmetro	DM	<table border="1"> <thead> <tr><th>Voltage</th><th>Code</th></tr> </thead> <tbody> <tr><td>24V d.c.</td><td>024</td></tr> <tr><td>48V d.c.</td><td>048</td></tr> <tr><td>110V a.c.</td><td>110</td></tr> <tr><td>230V a.c.</td><td>230</td></tr> <tr><td>240V a.c.</td><td>240</td></tr> </tbody> </table>	Voltage	Code	24V d.c.	024	48V d.c.	048	110V a.c.	110	230V a.c.	230	240V a.c.	240	<table border="1"> <thead> <tr><th>Flashrate</th><th>Code</th></tr> </thead> <tbody> <tr><td>60 / min</td><td>06</td></tr> </tbody> </table> <p>Other flash rates available, please specify.</p>	Flashrate	Code	60 / min	06	<table border="1"> <thead> <tr><th>Lens Colour</th><th>Code</th></tr> </thead> <tbody> <tr><td>Red</td><td>R</td></tr> <tr><td>Blue</td><td>B</td></tr> <tr><td>Green</td><td>G</td></tr> <tr><td>Amber</td><td>A</td></tr> <tr><td>Yellow</td><td>Y</td></tr> <tr><td>Clear</td><td>C</td></tr> </tbody> </table>	Lens Colour	Code	Red	R	Blue	B	Green	G	Amber	A	Yellow	Y	Clear	C	<table border="1"> <thead> <tr><th>Guard</th><th>Code</th></tr> </thead> <tbody> <tr><td>None</td><td>N</td></tr> <tr><td>Yes</td><td>Y</td></tr> </tbody> </table>	Guard	Code	None	N	Yes	Y	<table border="1"> <thead> <tr><th>Fixings</th><th>Code</th></tr> </thead> <tbody> <tr><td>Direct mount</td><td>D</td></tr> <tr><td>Backstrap</td><td>B</td></tr> </tbody> </table>	Fixings	Code	Direct mount	D	Backstrap	B	<table border="1"> <thead> <tr><th>Continuity</th><th>Code*</th></tr> </thead> <tbody> <tr><td>None</td><td>N</td></tr> <tr><td>Yes</td><td>Y</td></tr> </tbody> </table> <p>*Earth continuity not available in UL or Dual Listed versions.</p>	Continuity	Code*	None	N	Yes	Y	<table border="1"> <thead> <tr><th>Option</th><th>Code</th></tr> </thead> <tbody> <tr><td>Telephone initiate</td><td>T*</td></tr> <tr><td>Blanking Plug</td><td>P</td></tr> <tr><td>None</td><td>N</td></tr> </tbody> </table> <p>*Telephone option not available in UL version.</p>	Option	Code	Telephone initiate	T*	Blanking Plug	P	None	N	<table border="1"> <thead> <tr><th>Finish</th><th>Code</th></tr> </thead> <tbody> <tr><td>Natural Black</td><td>N</td></tr> <tr><td>Red</td><td>R</td></tr> <tr><td>Blue</td><td>B</td></tr> <tr><td>Yellow</td><td>Y</td></tr> <tr><td>Grey</td><td>G</td></tr> <tr><td>White</td><td>W</td></tr> <tr><td>Special</td><td>S*</td></tr> </tbody> </table> <p>*Please specify</p>	Finish	Code	Natural Black	N	Red	R	Blue	B	Yellow	Y	Grey	G	White	W	Special	S*
Certification	Code																																																																																																						
Uncertified	W																																																																																																						
BASEEFA	B																																																																																																						
IECEX	J																																																																																																						
UL	UL																																																																																																						
UL (Ordinary location)	UW																																																																																																						
ATEX/UL Dual Listed	AU																																																																																																						
GOST 'R'	G																																																																																																						
GOST 'K'	K																																																																																																						
Chinese (CQST)	Q																																																																																																						
Inmetro	DM																																																																																																						
Voltage	Code																																																																																																						
24V d.c.	024																																																																																																						
48V d.c.	048																																																																																																						
110V a.c.	110																																																																																																						
230V a.c.	230																																																																																																						
240V a.c.	240																																																																																																						
Flashrate	Code																																																																																																						
60 / min	06																																																																																																						
Lens Colour	Code																																																																																																						
Red	R																																																																																																						
Blue	B																																																																																																						
Green	G																																																																																																						
Amber	A																																																																																																						
Yellow	Y																																																																																																						
Clear	C																																																																																																						
Guard	Code																																																																																																						
None	N																																																																																																						
Yes	Y																																																																																																						
Fixings	Code																																																																																																						
Direct mount	D																																																																																																						
Backstrap	B																																																																																																						
Continuity	Code*																																																																																																						
None	N																																																																																																						
Yes	Y																																																																																																						
Option	Code																																																																																																						
Telephone initiate	T*																																																																																																						
Blanking Plug	P																																																																																																						
None	N																																																																																																						
Finish	Code																																																																																																						
Natural Black	N																																																																																																						
Red	R																																																																																																						
Blue	B																																																																																																						
Yellow	Y																																																																																																						
Grey	G																																																																																																						
White	W																																																																																																						
Special	S*																																																																																																						

All the above specifications, dimensions, weights and tolerances are nominal (typical) and Cooper MEDC reserve the right to vary all data without prior notice. No liability is accepted for any consequence of use.

