

Exed, Intrinsically Safe (Exia), Weatherproof



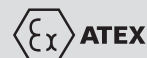
Features

- Zone 0, Zone 1 and Zone 2 use.
- Exed, Exia or weatherproof.
- ATEX approved – Ex II 1G (Exia)
– Ex II 2G (Exed)
- BASEEFA certified.
- IP66 and IP67.
- Certified temperature: –40°C to +50°C*.
- Corrosion resistant red painted GRP.
- Retained stainless steel cover screws.
- Optional lift flap.
- Key operated test facility.
- Lightweight and robust.
- Breakglass hammer available.
(Contact sales office for details)

**Depending on version.*

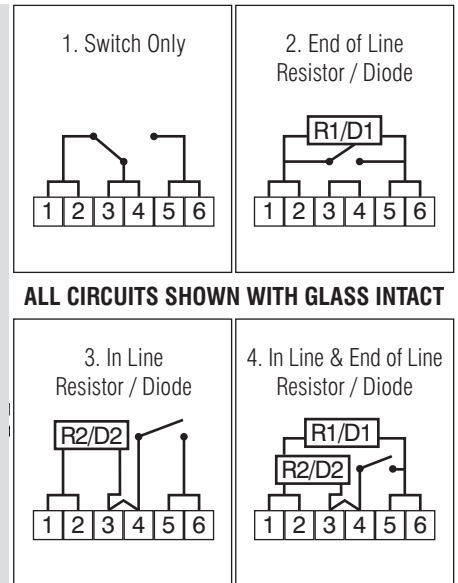
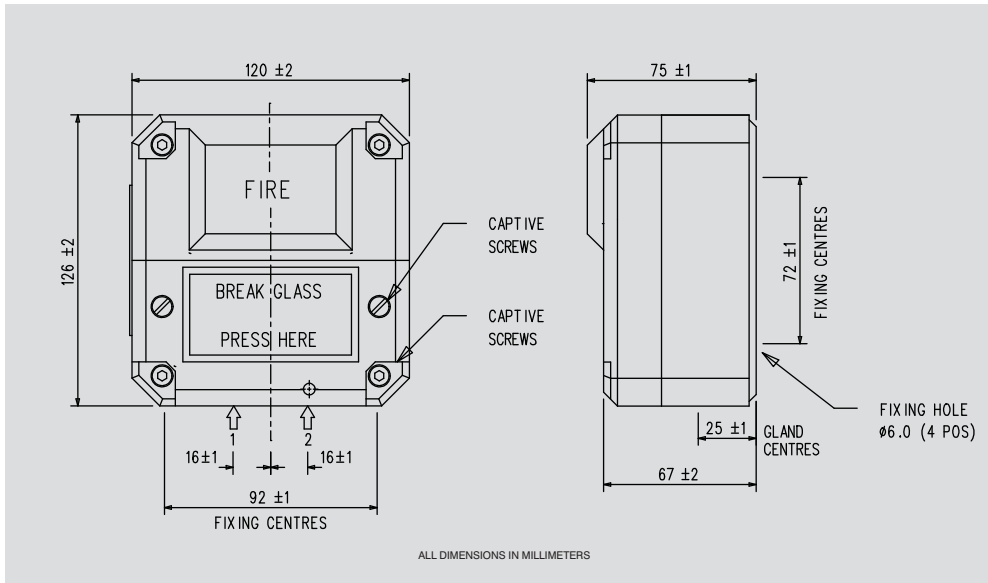
Introduction

This manual fire alarm call point has been designed for use in flammable atmospheres and harsh environmental conditions. The GRP enclosure is suitable for use offshore or onshore where lightweight combined with a high level of corrosion resistance is required.



Specification

	BG2W	BG2E	BG2I
Protection:	Dust-tight and Weatherproof	Explosion Protected Exed (Increased Safety)	Explosion Protected Exia (Intrinsically Safe)
Certification:	Not Applicable	CENELEC EN50014, 018, 019, 028 Cert. No. BAS02ATEX2105X ExedIICT6 (switch only) ExedmIICT4 (other versions) Suitable for use in Zones 1 & 2 American Bureau of Shipping Type Approval	CENELEC EN50014, 020 Cert. No. Baseefa03ATEX0084X Exia IIC T4 Suitable for use in Zones 0, 1 & 2
Voltage:	Up to 254V	Up to 250V (Switch only) Up to 24V (Resistors & Switch)	Up to 28V (IS)
Certified Temperature:	-40°C to +55°C	-20°C to +50°C	-40°C to +50°C
Ingress Protection:	IP66 & 67.	IP66 & 67.	IP66 & 67.
British Standard for Call Points:	BS 5839 : Part 2 : 1983 (BG).	BS 5839 : Part 2 : 1983 (BG).	BS 5839 : Part 2 : 1983 (BG).
Switch Ratings:	d.c.: 0-30V 5A (resistive) or 3A (inductive) 30V-50V 1A resistive or inductive a.c.: 0-254V 5A resistive or inductive		NOT APPLICABLE
Resistor Values:	100R Minimum*	100R Minimum, 39k Maximum*	470R Minimum*
Cable Entries:	2 x M20 bottom.		
Terminals:	6 x 2.5mm ²	6 x 2.5mm ²	6 x 2.5mm ²
Weight:	1.2 Kg.		
Material:	U.V. resistant glass reinforced polyester.		
Finish:	Painted Red		



Ordering Requirements

The following code is designed to help in selection of the correct unit. Build up the reference number by inserting the code for each component into the appropriate box. **For standard products, available ex-stock, contact sales office for details.**

Model	Options	Flap	Finish																																
<div style="border: 1px solid black; width: 40px; height: 20px; margin: 0 auto;"></div>	<div style="border: 1px solid black; width: 40px; height: 20px; margin: 0 auto;"></div>	<div style="border: 1px solid black; width: 40px; height: 20px; margin: 0 auto;"></div>	<div style="border: 1px solid black; width: 40px; height: 20px; margin: 0 auto;"></div>																																
<p>The MEDC BG Range of Manual Alarm Call Points caters for numerous options such as variety of colours, LED indication, earth continuity, double switch, etc. See separate catalogue sheet for details.</p> <table border="1"> <thead> <tr> <th>Model</th> <th>Code</th> </tr> </thead> <tbody> <tr> <td>BG2W – a.c. or d.c.</td> <td>BG2WNN</td> </tr> <tr> <td>BG2I – Up to 28V (I.S.)</td> <td>BG2INN</td> </tr> <tr> <td>BG2E – d.c.</td> <td>BG2EDC</td> </tr> <tr> <td>BG2E – a.c.</td> <td>BG2EAC</td> </tr> </tbody> </table>	Model	Code	BG2W – a.c. or d.c.	BG2WNN	BG2I – Up to 28V (I.S.)	BG2INN	BG2E – d.c.	BG2EDC	BG2E – a.c.	BG2EAC	<table border="1"> <thead> <tr> <th>Options</th> <th>Code</th> </tr> </thead> <tbody> <tr> <td>Switch only</td> <td>1</td> </tr> <tr> <td>End of line resistor</td> <td>2*</td> </tr> <tr> <td>In line resistor</td> <td>3*</td> </tr> <tr> <td>In line and end of line resistor</td> <td>4*</td> </tr> <tr> <td>Diode (specify location & value)</td> <td>5</td> </tr> </tbody> </table>	Options	Code	Switch only	1	End of line resistor	2*	In line resistor	3*	In line and end of line resistor	4*	Diode (specify location & value)	5	<table border="1"> <thead> <tr> <th>Flap</th> <th>Code</th> </tr> </thead> <tbody> <tr> <td>Fitted</td> <td>F*</td> </tr> <tr> <td>Not Fitted</td> <td>N</td> </tr> </tbody> </table> <p>* Polycarbonate lift flap.</p>	Flap	Code	Fitted	F*	Not Fitted	N	<table border="1"> <thead> <tr> <th>Finish</th> <th>Code</th> </tr> </thead> <tbody> <tr> <td>Red Painted</td> <td>R</td> </tr> </tbody> </table>	Finish	Code	Red Painted	R
Model	Code																																		
BG2W – a.c. or d.c.	BG2WNN																																		
BG2I – Up to 28V (I.S.)	BG2INN																																		
BG2E – d.c.	BG2EDC																																		
BG2E – a.c.	BG2EAC																																		
Options	Code																																		
Switch only	1																																		
End of line resistor	2*																																		
In line resistor	3*																																		
In line and end of line resistor	4*																																		
Diode (specify location & value)	5																																		
Flap	Code																																		
Fitted	F*																																		
Not Fitted	N																																		
Finish	Code																																		
Red Painted	R																																		

* Specify resistor values.