

Specification

Certification: Certified to IEC60079-0, IEC60079-1
 Certified to EN60079-0, EN60079-1
 ATEX Cert. No. BAS99ATEX2196.
 Ex II 2 G Ex d IIB T3/T4 Gb
 IECEx Cert. No. IECEx BAS 10.0094
 Ex d IIB T3/T4 Gb.
 GOST 'R' Certified: 1Exd IIB T4/T5.
 Inmetro Certified: B R-Ex d IIB T3/T4/T5/T6.

Material: Body: Glass reinforced polyester (GRP).
 Lens: Glass
 Cover screws and backstrap: Stainless steel 316.

Finish: Natural black or painted to customer specification.

Voltage: 24, 48V d.c. - 110, 120, 230, 240, 254V a.c.

Bulb Life: We do not recommend the continuous use of the TH12 for over 3 hours as this could adversely affect its life.

Bulb Type: 70 Watt H1 tungsten halogen bulb (24V).
 55 Watt H1 tungsten halogen bulb (12V).

Certified Temp: -55°C to +70°C (T3).
 -55°C to +55°C (T4).

Weight: 7.6kg.

Ingress Protection: IP66 & IP67.

Entries: 2 x M20 ISO.

Terminals: 6 x 6.0mm².

Labels: Tag/Duty label option.

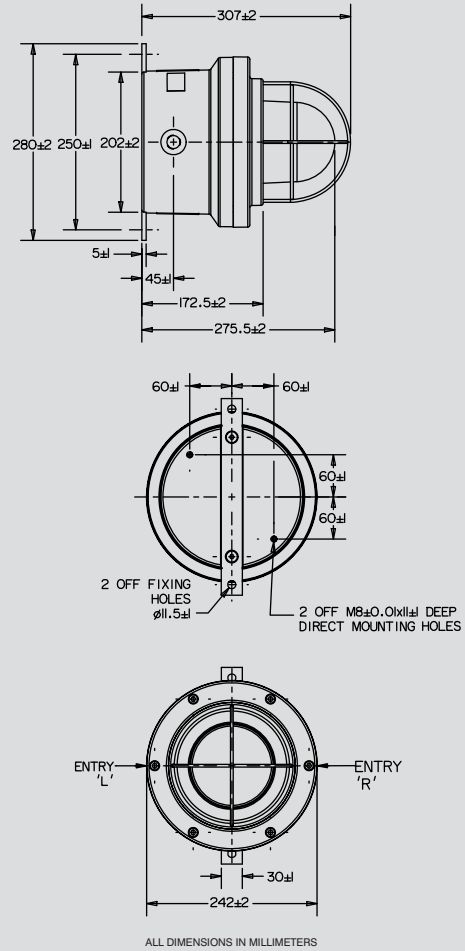
Wattage

	55W	70W	70W	70W
Voltage	12 d.c.	24 d.c.	110 a.c.	240 a.c.
Peak Current	4.85A	2.92A	0.64A	0.34A

Rotational Speed (r.p.m.)

	60	120	180
Effective Intensity (Cd)	3354	1957	895
Peak Intensity (Cd)	11164	11164	11164

Note: The above figures (Cd) are for a 70W lamp with clear lens.
 Rotational speed may vary by ±20% of the stated r.p.m.



Multiplying Factor for Colored Lenses: UL/UW/UM versions

Red	Blue	Amber	Green	Yellow
0.15	0.12	0.51	0.49	0.86

The photometric data has been verified by BSI, a report which is available if required.

Ordering Requirements

The following code is designed to help in selection of the correct unit. Build up the reference number by inserting the code for each component into the appropriate box. **Standard products available for immediate shipping - contact sales office for details.**

Model	Certification	Speed	Voltage	Lens Colour	Lens Guard	Fixings	Options	Finish																																																																																
TH12																																																																																								
	<table border="1"> <thead> <tr> <th>Certification</th> <th>Code</th> </tr> </thead> <tbody> <tr> <td>ATEX</td> <td>B</td> </tr> <tr> <td>IECEX</td> <td>J</td> </tr> <tr> <td>GOST 'R'</td> <td>G</td> </tr> <tr> <td>Inmetro</td> <td>DM</td> </tr> </tbody> </table>	Certification	Code	ATEX	B	IECEX	J	GOST 'R'	G	Inmetro	DM	<table border="1"> <thead> <tr> <th>Speed</th> <th>Code</th> </tr> </thead> <tbody> <tr> <td>60 / min</td> <td>A</td> </tr> <tr> <td>120 / min</td> <td>B</td> </tr> <tr> <td>180 / min</td> <td>C*</td> </tr> </tbody> </table> <p>* Not available 110V a.c.</p>	Speed	Code	60 / min	A	120 / min	B	180 / min	C*	<table border="1"> <thead> <tr> <th>Voltage</th> <th>Code</th> </tr> </thead> <tbody> <tr> <td>12V d.c.</td> <td>012*</td> </tr> <tr> <td>24V d.c.</td> <td>024†</td> </tr> <tr> <td>110V a.c.</td> <td>110†</td> </tr> <tr> <td>240V a.c.</td> <td>240†</td> </tr> </tbody> </table> <p>* 55W only available 12V d.c. † 70W only available 24V d.c., 110V a.c. & 240V a.c.</p>	Voltage	Code	12V d.c.	012*	24V d.c.	024†	110V a.c.	110†	240V a.c.	240†	<table border="1"> <thead> <tr> <th>Colour</th> <th>Code</th> </tr> </thead> <tbody> <tr> <td>Red</td> <td>R</td> </tr> <tr> <td>Blue</td> <td>B</td> </tr> <tr> <td>Green</td> <td>G</td> </tr> <tr> <td>Amber</td> <td>A</td> </tr> <tr> <td>Yellow</td> <td>Y</td> </tr> <tr> <td>Clear</td> <td>C</td> </tr> </tbody> </table>	Colour	Code	Red	R	Blue	B	Green	G	Amber	A	Yellow	Y	Clear	C	<table border="1"> <thead> <tr> <th>Guard</th> <th>Code</th> </tr> </thead> <tbody> <tr> <td>None</td> <td>N</td> </tr> <tr> <td>Yes</td> <td>Y</td> </tr> </tbody> </table>	Guard	Code	None	N	Yes	Y	<table border="1"> <thead> <tr> <th>Unit Fixings</th> <th>Code</th> </tr> </thead> <tbody> <tr> <td>Direct mount</td> <td>D</td> </tr> <tr> <td>Backstrap</td> <td>B</td> </tr> </tbody> </table>	Unit Fixings	Code	Direct mount	D	Backstrap	B	<table border="1"> <thead> <tr> <th>Option</th> <th>Code</th> </tr> </thead> <tbody> <tr> <td>Tag Label</td> <td>T*</td> </tr> <tr> <td>Duty Label</td> <td>D*</td> </tr> <tr> <td>Earth Continuity</td> <td>E</td> </tr> <tr> <td>None</td> <td>N</td> </tr> </tbody> </table> <p>* Please specify</p>	Option	Code	Tag Label	T*	Duty Label	D*	Earth Continuity	E	None	N	<table border="1"> <thead> <tr> <th>Finish</th> <th>Code</th> </tr> </thead> <tbody> <tr> <td>Natural Black</td> <td>N</td> </tr> <tr> <td>Red</td> <td>R</td> </tr> <tr> <td>Blue</td> <td>B</td> </tr> <tr> <td>Yellow</td> <td>Y</td> </tr> <tr> <td>Grey</td> <td>G</td> </tr> <tr> <td>White</td> <td>W</td> </tr> <tr> <td>Special</td> <td>S*</td> </tr> </tbody> </table> <p>* Please specify</p>	Finish	Code	Natural Black	N	Red	R	Blue	B	Yellow	Y	Grey	G	White	W	Special	S*
Certification	Code																																																																																							
ATEX	B																																																																																							
IECEX	J																																																																																							
GOST 'R'	G																																																																																							
Inmetro	DM																																																																																							
Speed	Code																																																																																							
60 / min	A																																																																																							
120 / min	B																																																																																							
180 / min	C*																																																																																							
Voltage	Code																																																																																							
12V d.c.	012*																																																																																							
24V d.c.	024†																																																																																							
110V a.c.	110†																																																																																							
240V a.c.	240†																																																																																							
Colour	Code																																																																																							
Red	R																																																																																							
Blue	B																																																																																							
Green	G																																																																																							
Amber	A																																																																																							
Yellow	Y																																																																																							
Clear	C																																																																																							
Guard	Code																																																																																							
None	N																																																																																							
Yes	Y																																																																																							
Unit Fixings	Code																																																																																							
Direct mount	D																																																																																							
Backstrap	B																																																																																							
Option	Code																																																																																							
Tag Label	T*																																																																																							
Duty Label	D*																																																																																							
Earth Continuity	E																																																																																							
None	N																																																																																							
Finish	Code																																																																																							
Natural Black	N																																																																																							
Red	R																																																																																							
Blue	B																																																																																							
Yellow	Y																																																																																							
Grey	G																																																																																							
White	W																																																																																							
Special	S*																																																																																							